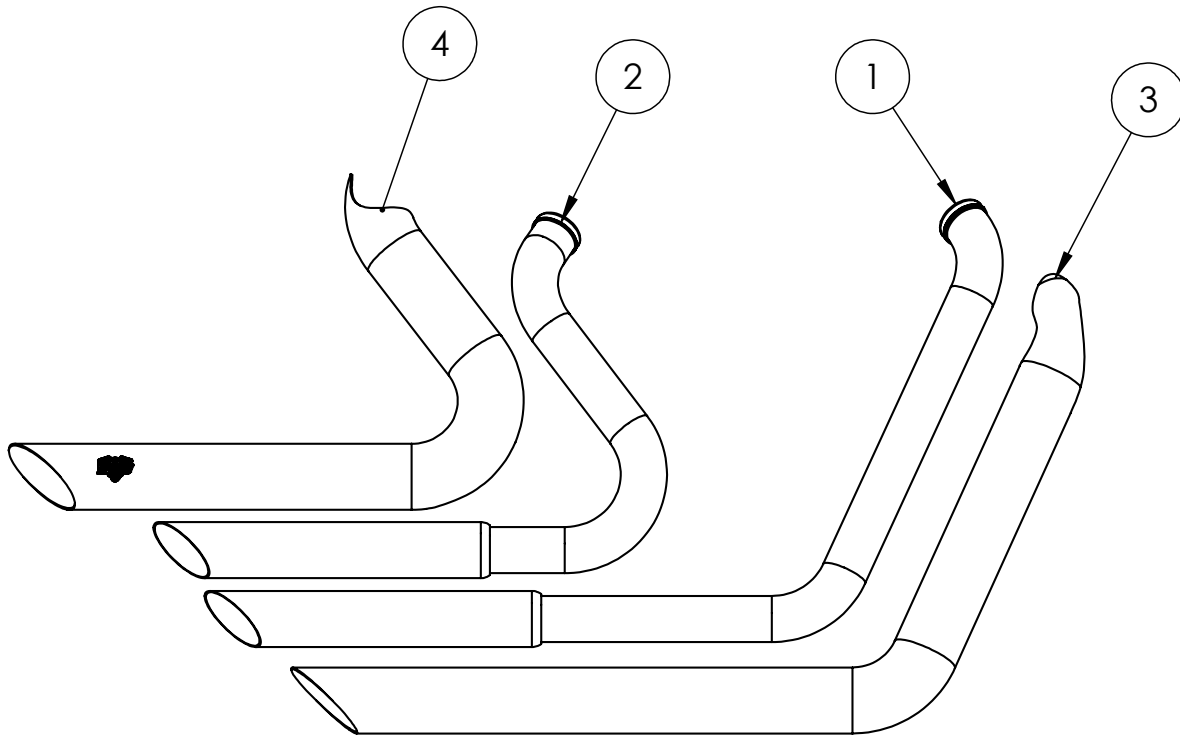


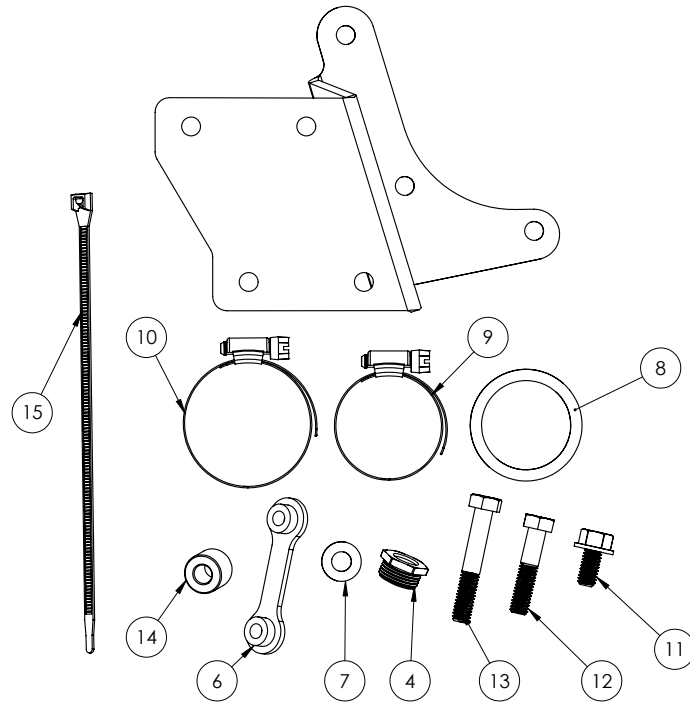
Congratulations, you have purchased the finest exhaust system available for your motorcycle. Your Vance & Hines exhaust is designed and crafted for performance, quality, and style. Please follow the instructions below, check exhaust system for missing or damaged parts and if you need any assistance please contact our technical support line (562) 921-7461.



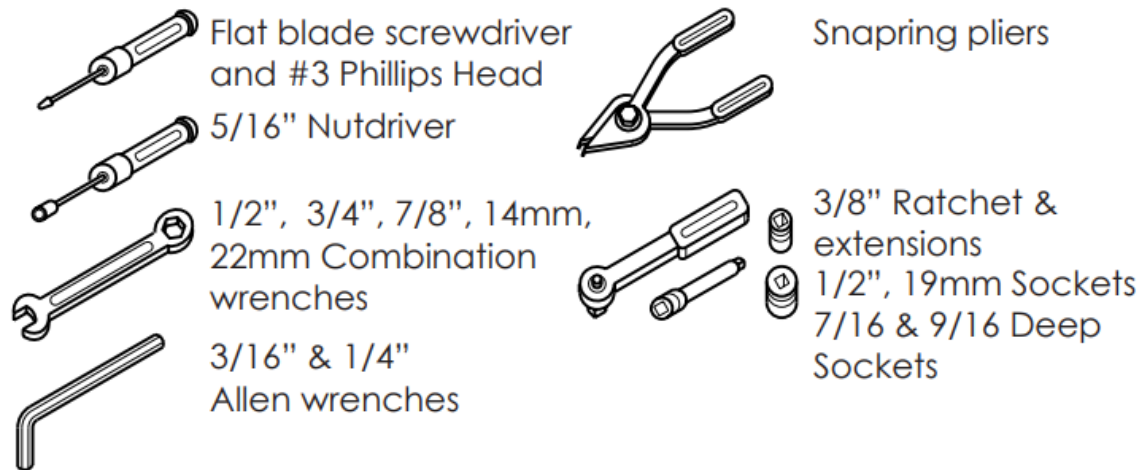
PARTS LIST

NO.	PART NO.	CH./BLK.	Description	QTY
1	D410FC		Front Head Pipe	1
2	D411FC		Rear Head Pipe	1
3	D410HC		Front Heat Shield	1
4	D411HC		Rear Heat Shield	1
5	398-P		Bracket	1
6	A195HW		Dog Bone Nut Plate	2
7	A107HW		Washer 5/16IN Flat Zinc	3
8	A167HW		Exhaust Gasket	2
9	A270HW		.81-1.75 IN Hose Clamp	2
10	A272HW		1.31-2.25IN SS Hose Clamp	3
11	A240HW		5/16"-18 X 5/8" FB	4
12	A345HW		5/16-18 X 1.5IN. Cap Screw	3
13	A503HW		5/16-18 X 2 IN. Cap Screw	1
14	D115ST		DYNA Bracket Spacer	1
15	A288HW		Nylon Cable	

HARDWARE



TOOLS REQUIRED



STOCK EXHAUST SYSTEM REMOVAL

NOTE: These instructions are written for late model motorcycles equipped with O₂ sensors. If you are installing these pipes on a bike which is not equipped with O₂ sensors, ignore all instructions which reference them. Additionally you will need to purchase an O₂ sensor block off kit P/N 16925.

1. Remove seat to gain access to rear oxygen sensor connector. Unplug sensor and feed end of wire through frame so that it is free from motorcycle. NOTE: Pay attention to wire routing for re-installation.
2. For 2006 to 2011 models remove two bolts holding rectifier onto front of frame (near front tire). Open plastic cover to gain access to front oxygen sensor connector. Unplug sensor from harness and feed end of wire through to free it from motorcycle. For 2012 to 2014 models the connector is located under the rectifier at the front of the motorcycle.
3. Loosen heat shield clamps on both the front and rear head pipes.
4. Remove two cylinder exhaust port flange nuts from each head pipe, located at the cylinder head.
5. Remove front head pipe clamp bolt.
6. Remove the bolt that attaches mufflers to the frame mounting bar.
7. Remove the complete exhaust system and set aside (Assistance may be required).
8. Remove stock mounting bar and the studs in the transmission cover. Save the bolts, one will be re-used.
9. Remove left hand bolt below the transmission cover. Position mounting bracket 398-P over mounting location to determine which bolts to remove (Figure 1). Install this bolt in the top hole left vacant by the new bracket.
10. Carefully remove the flanges and circlips from the stock exhaust system using snapping pliers. NOTE: Replace bent or damaged circlips. Check condition of stock exhaust gaskets. Replace if worn or damaged. (Recommended replacement exhaust port gaskets, Screamin' Eagle part number 17048-98).
11. Using a 7/8" or 22mm wrench, remove stock oxygen sensors. They will be re-used on new system.

VANCE & HINES EXHAUST INSTALLATION

1. Attach mounting bracket 398-P (supplied) to transmission using the 11/16" spacer and three 5/16" x 1-1/2" hex bolts and 5/16" flat washer combinations (supplied) (Figure 1). NOTE: The 11/16" spacer and longer bolt are not required for 2006-2007 models.
2. Remove head pipes and heat shields from protective packaging. Place each heat shield on a non-abrasive surface such as a blanket or carpet. Using a felt tip pen, mark outside edge of each heat shield to show location of hose clamp mounting clips (Figure 2).
3. Lay head pipes into heat shields and loosely install hose clamps by feeding tail end of clamp into heat shield clips (Figure 2). Take note of screw head direction (Figure 3). Screw head should be accessible when system is installed on motorcycle for adjustment purposes. Use #20 hose clamps for head pipe areas and #28 hose clamps for muffler areas. NOTE: Do not tighten at this time.
4. Install circlips and flanges from the stock system onto both new head pipes (Figure 4).
5. Apply a small amount of anti-seize compound to the threads of the oxygen sensors and install them into the new head pipes. NOTE: Be careful not to get anti-seize on sensor tip, it may affect sensor function.
6. Using stock flange nuts, carefully install head pipes into exhaust ports, starting with the rear cylinder. Assistance may be required. NOTE: Do not tighten at this time.
7. Loosely install hose clamps by feeding tail end of clamp into heat shield. Slide nut plate inside bracket that is welded to backside of muffler bodies (Figure 5). While holding nut plates in place, attach muffler bodies to mounting bracket 398-P using four 5/16" x 5/8" flange head bolts (supplied). Leave them loose at this time. NOTE: Muffler body brackets should align with top edge of mounting bracket 398-P.

VANCE & HINES EXHAUST INSTALLATION CONTINUED

8. Tighten cylinder port exhaust flange nuts on front and rear cylinders while making sure pipes are parallel.
9. Tighten the flange bolts on both mufflers.
10. Tighten all heat shield clamps. NOTE: muffler bodies should protrude from heat shields by 1/4" (Figure 6).
11. Feed wire for front oxygen sensor through frame and into plastic holder on frame. Plug sensor into stock wiring connector. Snap plastic holder closed to hold connector in place.
12. Put toothed edge of wiring holder into slot in frame. Re-install rectifier so that it fits under tooth of wiring holder, keeping it in place in frame. Tighten both bolts.
13. Install a new cable tie to hold wires onto frame in original location.
14. Feed connector for rear oxygen sensor through frame and into underseat compartment. Plug sensor into stock wiring connector.
15. Re-install seat.
16. Check for adequate clearance between all exhaust system components and motorcycle accessories prone to heat damage.
17. After installation and before starting motorcycle, completely clean pipes and mufflers with cleaning solvent and a clean, soft cloth that will not leave a residue. NOTE: ANY RESIDUE, OIL, OR FINGERPRINTS WILL STAIN THE CHROME WHEN THE METAL HEATS UP
18. Be sure to tighten all hardware before starting your motorcycle.

EXHAUST CARE (CHROME)

1. When installing a new set of chrome pipes, make sure your hands are clean and free of oil. After installation, thoroughly clean pipes with a soft cloth and cleaning solvent that will leave no residue before starting the motorcycle.
2. Avoid long periods of idling as this can cause discoloration.
3. Intake leaks can cause the engine to run lean and overheat, this could lead to discoloration.
4. Make sure there are no exhaust leaks at the junction of the exhaust pipes and cylinder head. We recommend replacing gaskets if they are worn.

EXHAUST CARE (BLACK)

1. When installing a new set of black pipes, make sure your hands are clean and free of oil. After installation, thoroughly clean pipes with warm soapy water and a soft cloth. Dry with a clean towel to remove any residue before starting the motorcycle. Do NOT use anything abrasive to clean the pipes.
2. Avoid long periods of idling as this can cause discoloration.
3. Intake leaks can cause the engine to run lean and overheat, this could lead to discoloration.
4. Make sure there are no exhaust leaks at the junction of the exhaust pipes and cylinder head. We recommend replacing gaskets if they are worn.

FIGURE 1

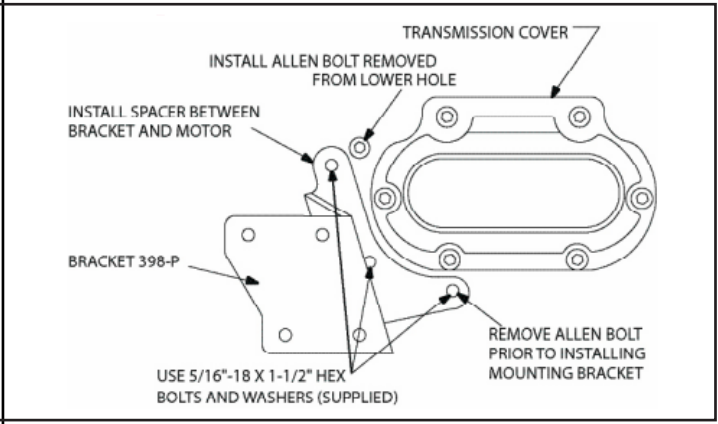


FIGURE 2

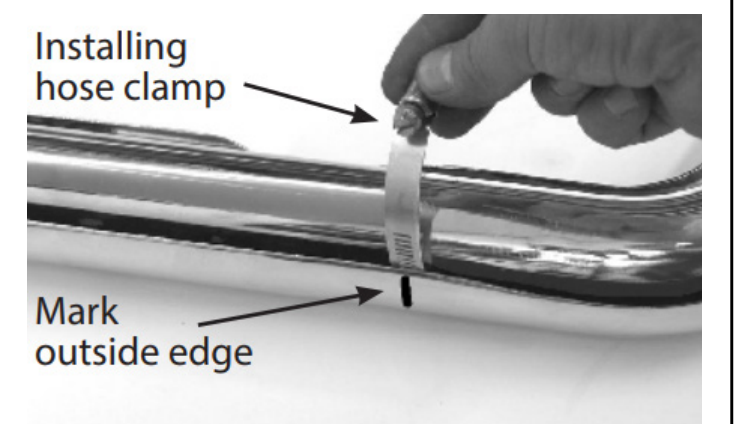


FIGURE 3

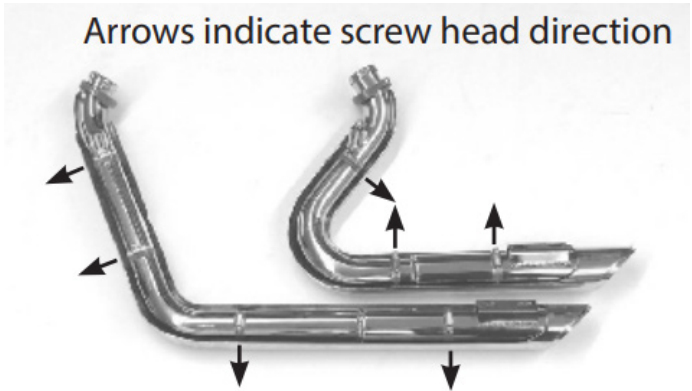


FIGURE 4

