



YOSHIMURA

RESEARCH&DEVELOPMENT OF AMERICA, INC.

5420 DANIELS STREET STE A, CHINO CA., 91710 · (800) 634-9166 · (909) 628-4722 · FAX (909) 591-2198

www.yoshimura-rd.com

FENDER ELIMINATOR KIT

070BG133300
Yamaha MT-03

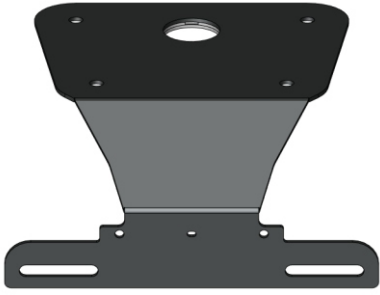


THIS PRODUCT IS NOT DOT APPROVED.

Yoshimura R&D of America, Inc. is not liable or responsible for any resulting event caused by the installation of this product. Check with local laws and regulations for compliance prior to installation and use. This product is not intended for use on public highways.



x1



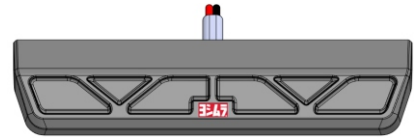
13330-FEBKT
Fender Eliminator Bracket

x1



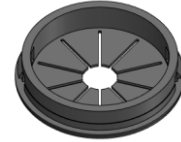
070BG-LPF
License Plate Frame

x1



070BG-LH-K1
License Plate Light

x1



H-2158
Wire Grommet

x1



13992-TSB-L
Left Turn Signal Bracket

x1



13992-TSB-R
Right Turn Signal Bracket

x6



M6X16BHS
6mm x 16mm
Button Head Screws

x2



M6X14BHS
6mm x 14mm
Button Head Screws

x2



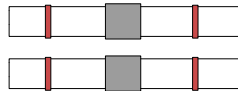
M4X6BHS
6mm x 6mm
Button Head Screws

x3



ZT-300
Cable Tie

x2



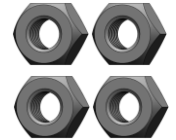
BN-SSS-22-18
Solder Shrink Connector

x4



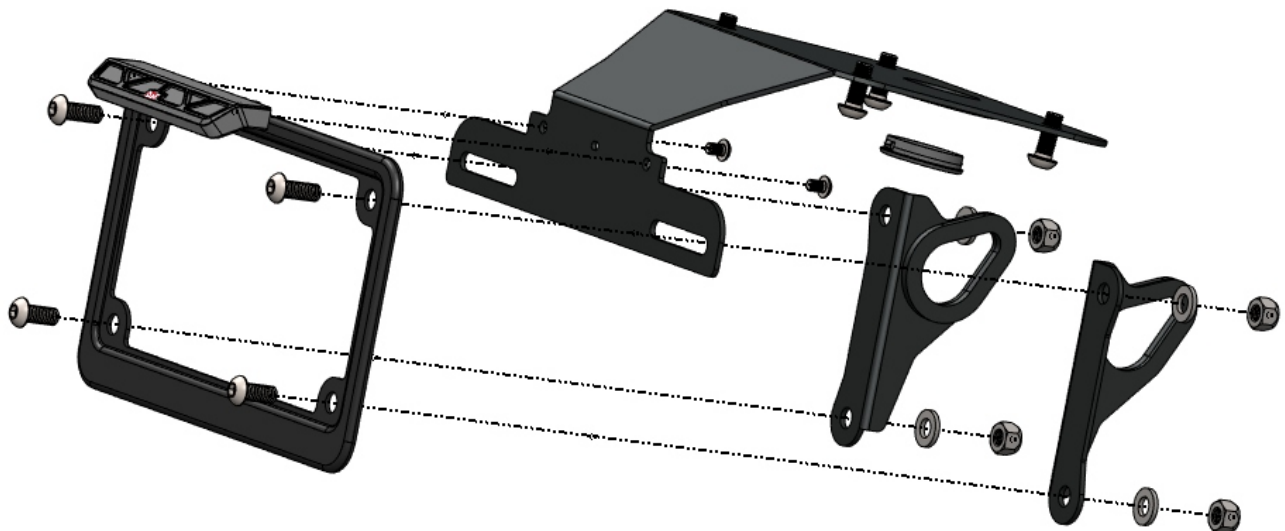
6MMWASHER
6mm Washer

x4



6MMLN
6mm Nylon
Lock Nut

Assembly Diagram

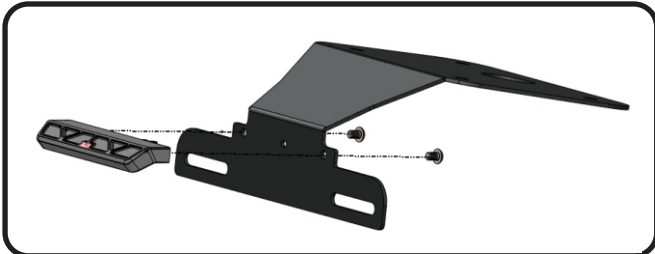


Removal

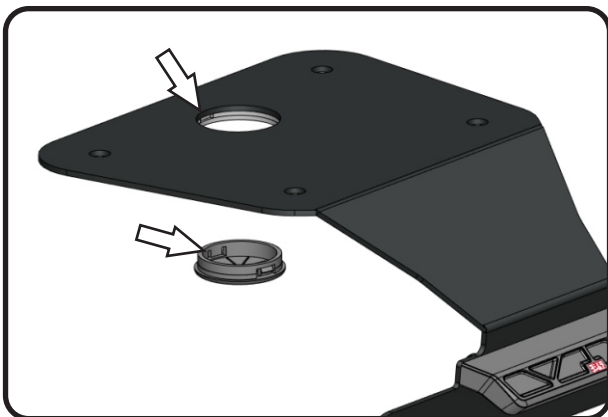
1. Remove passenger and rider seat.
2. Remove the two screws securing the plastic tray and remove.
3. Locate and disconnect license plate light and turn signal wires.
4. While securely supporting the stock fender assembly, remove the four nuts securing the fender assembly to frame. Carefully remove the stock fender assembly making sure not damage the license plate light and turn signal connectors.
5. Disassemble the stock fender assembly and remove left and right turn signals.
6. Cut the stock license plate light connector from the stock fender assembly. Be sure to cut at least a 6" section of wire from the connector.

Installation

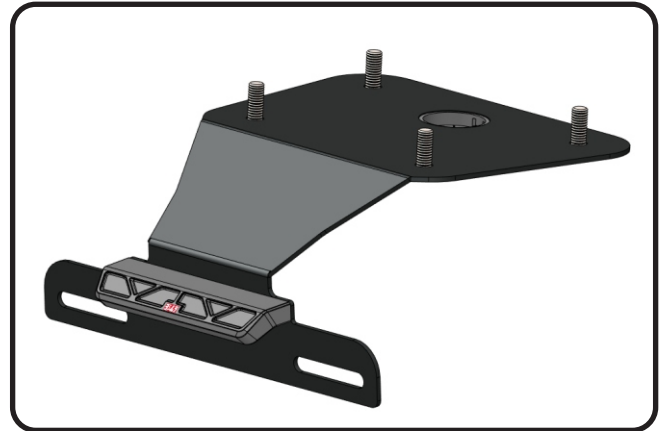
1. Install *070BG-LH-K1*, Yoshimura license plate light onto *13330-FEBKT*, Yoshimura fender bracket using *M4X6BHS*, 4mm button head screws provided in the kit.



2. Install *H-2158*, wire grommet into *13330-FEBKT*, fender bracket from below. Make sure to align clips to fender bracket.



3. Secure *13330-FEBKT*, fender bracket to frame using *M6X16BHS*, 6mm bolts and the stock nuts.



4. Using the *BN-SSS-22-18*, solder shrink connectors provided in the kit, connect Yoshimura license plate light wires to the stock license plate light wires as follows:

Red -to- Blue
Black -to- Black

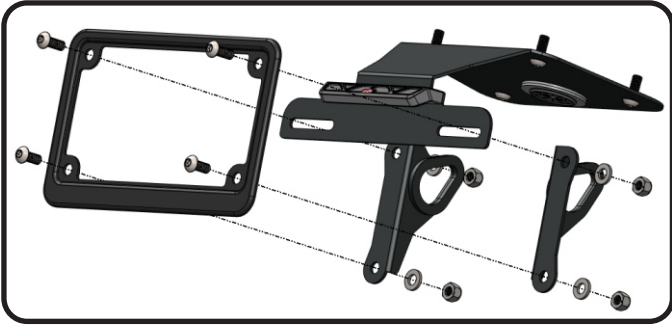
- a) Strip the stock fender light wire ends 1/4" - 1/2" and insert into BN-SSS-22-18, butt connectors provided in the kit.
- b) Center the spliced wire ends in the middle and using a heatgun or lighter, apply heat evenly on the outer edges of the butt connector to shrink and hold wires in place.
- c) Making sure that the stripped ends are centered, heat the center of the butt connector evenly until the solder begins to liquify.
- d) Allow to cool completely and tug both ends of the wires to verify that connection is secured.

Scan for link to butt connector instruction video.



5. Install the stock left and right turn signals onto *13992-TSB-L/R*, turn signal brackets using the stock hardware.

6. Install 13992-TSB-L/R, turn signal brackets and 070BG-LPF, license plate frame using M6X16BHS and M6X14BHS, 6mm button head screws as shown.



7. Route license plate light and turn signal wires under passenger seat and reconnect.
8. Re-install the plastic tray.
9. Re-install rider and passenger seat.
10. Check for proper function of license plate light, turn signals, brake light, and that all brackets and components are secure prior to riding.