



Upper Light Mounting Brackets

Harley Davidson Pan America
LAH.23.10000

Thank you for choosing DENALI

We know you would rather be riding your bike than wrenching on it, so we go the extra mile to make sure our instructions are clear and as easy to understand as possible. If you have any questions, comments, or suggestions don't hesitate to give our gear experts a call at 401.360.2550 or visit WWW.DENALIELECTRONICS.COM

Please Read Before Installing

DENALI products should always be installed by a qualified motorcycle technician. If you are unsure of your ability to properly install a product, please have the product installed by your local motorcycle dealer. DENALI takes no responsibility for damages caused by improper installation. **Caution:** When installing electronics it is extremely important to pay close attention to how wires are routed, especially when mounting products to the front fender, front forks, or fairing of your motorcycle. Always be sure to turn the handlebars fully left, fully right, and fully compress the suspension to ensure the wires will not bind and have enough slack for your motorcycle to operate properly.

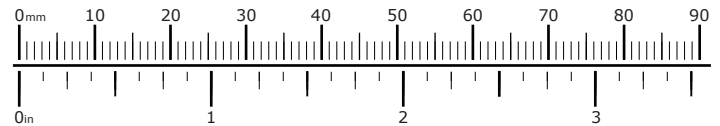
Installation Tips

We strongly recommend using medium strength liquid thread locker on all screws, nuts, and bolts. It is also important to ensure that all hardware is tightened to the proper torque specifications as listed in your owner's manual. For included accessory hardware please refer to the default torque specifications provided below. Inspect all hardware after the first 30 miles to ensure proper torque specifications are maintained.

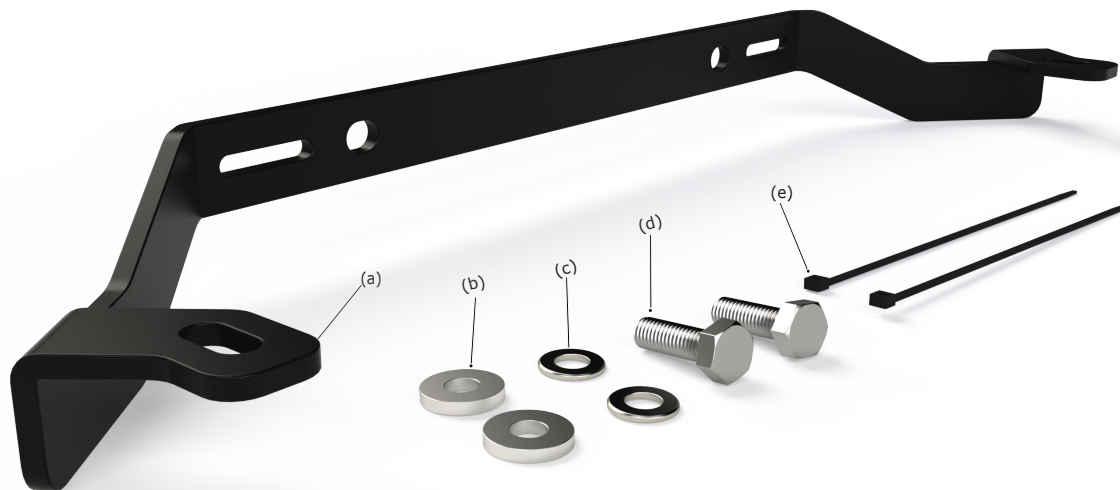
Bolt Size	in-lbs	ft-lbs	Nm
M3	10.0 in-lbs	-	1.0 Nm
M4	23.0 in-lbs	-	2.5 Nm
M5	44.5 in-lbs	3.5 ft-lbs	5.0 Nm
M6	78.0 in-lbs	6.5 ft-lbs	9.0 Nm
M8	-	13.5 ft-lbs	18.0 Nm
M10	-	30.0 ft-lbs	41.0 Nm
M12	-	52.0 ft-lbs	71.0 Nm

Hardware Sizing Guide

Not sure what size bolt you have? Use this ruler to measure screws, bolts, spacers, etc. Remember, the length of a screw or bolt is measured from the start of the "mounting surface" to the end of the screw, so only include the screw head when measuring countersunk screws.



What's In The Box?



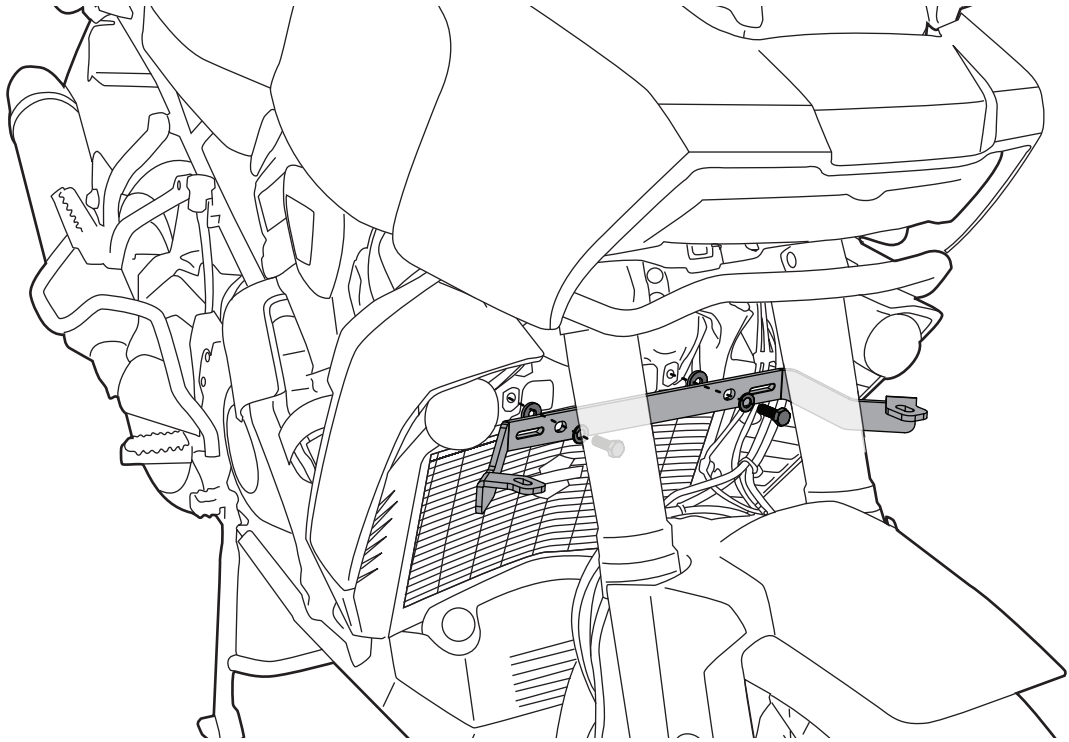
Kit Contents

- (a) Lower Light Mounting Bracket.....(LAH.23.001).....Qty 1
- (b) M8 Spacer OD 19mm ID 8.1mm H 3.175mm.....Qty 2
- (c) M8 Washer DIN 125.....Qty 2
- (d) M8x20 Hex Head Screw DIN 933.....Qty 2
- (e) Zip Tie.....Qty 2

Tools Required: 13mm Wrench

Note: This bracket can not be used if you have crash bars installed on your bike, either factory or aftermarket. If you do have crash bars installed you can use the Denali Crash Bar ClampMounts (LAH.00.10300.B) to install Denali LED Light Pods in the same mounting location.

1. Installing The Light Mount



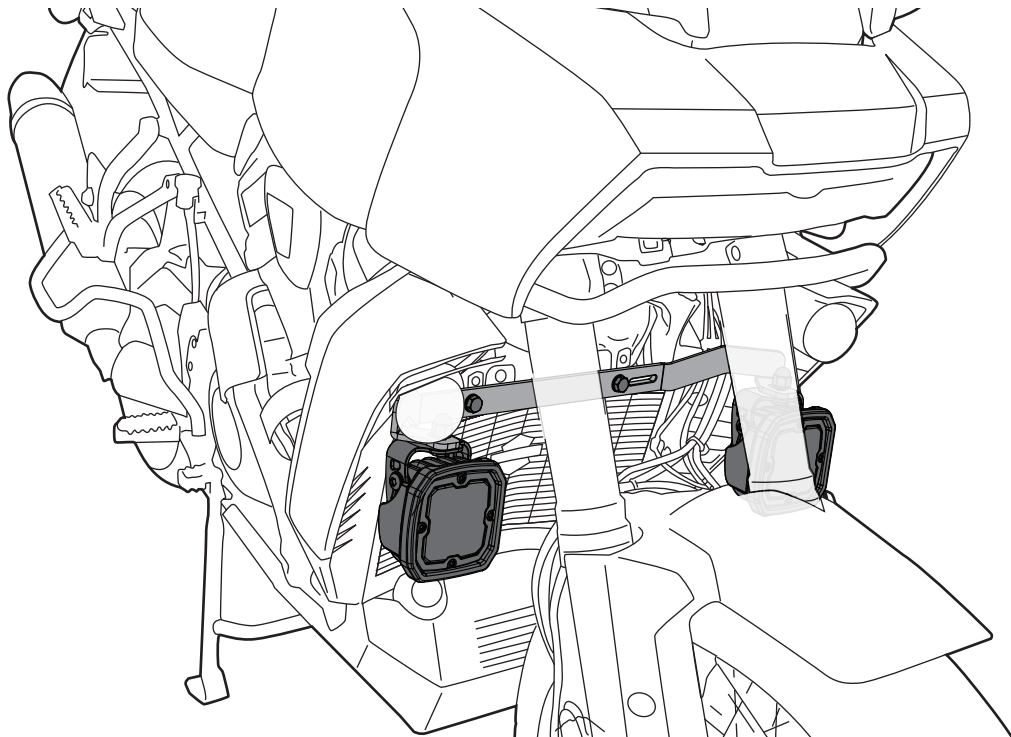
1.1 - Location Prep & Installation

Step One: Start by identifying and removing the factory hardware from the mounting points. The two bolts are located above the bike's radiator guard.

Step Two: Bolt the lower light mount bracket to the mounting surface using the M8x20mm Hex Head (d) and a 13mm wrench. Note that the M8 Spacer (b) goes in between the mounting surface and the bracket.

Note: With this installed, lights can be mounted either above or below the bracket. If you're mounting lights below the bracket refer to instruction 2.1 below. If you plan to mount lights on top of the bracket refer to instruction 2.2 on the next page, also note that when mounting above the bracket you will have to remove and replace the factory turn signals, see the instruction on 2.2 for details and recommendations.

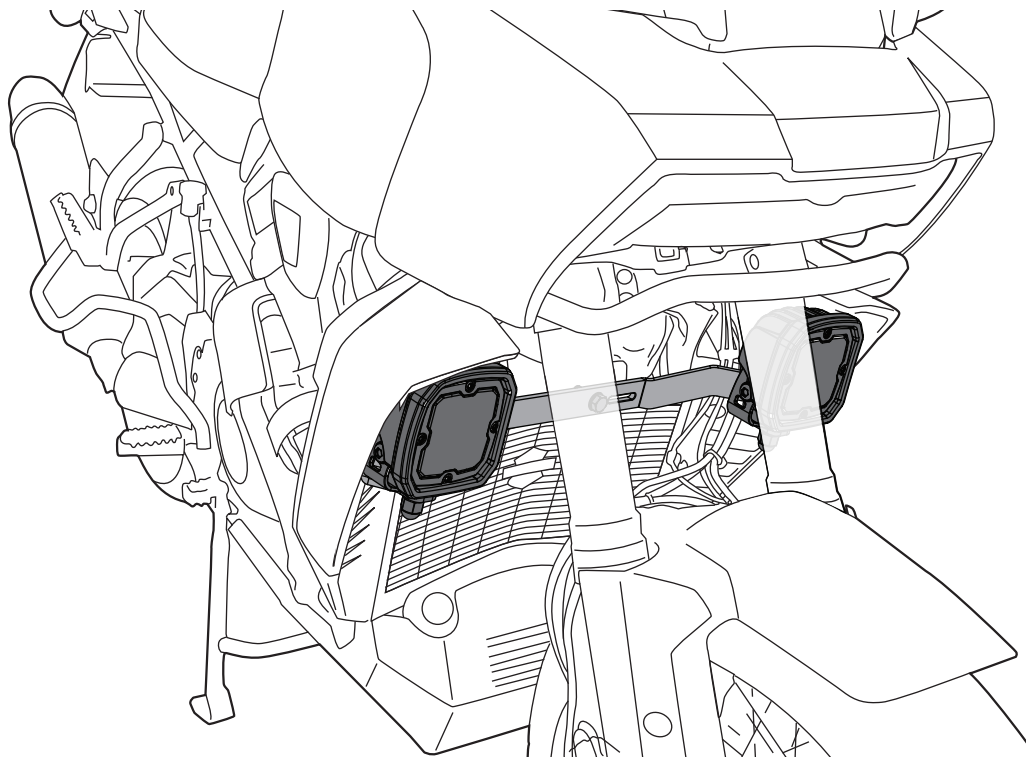
2. Installing The Lights



2.1 - Installing Lights Below

Step 1: Install the light pods upside down with the swivel bracket facing upwards to connect with the bottom surface of the bracket arms. The LED Light Pods will be positioned just underneath the factory turn signals.

Step 2: On the left side of the bike you will need to use a zip tie through the slot in the back of the bracket to secure bikes cables rearward to keep them from rubbing the back of the light pod.



2.2 - Installing Lights Above

Note: Denali LED Light Pods can be mounted on top of this bracket in a position that replaces the Pan America's factory turn signal location. One option to replace the turn signal is Denali T3 switchback turn signals which can be flush mounted into your bike's hand guards instead for a clean and modern adventure look. You can also install a Denali DialDim Controller which has the ability to make your driving lights flash as turn signals (amber lens recommended).

Step One: Remove the side fairings on either side of the radiator guard that cover the factory turn signals. They're connected to the bike via screws on the back of the housing.

Step Two: Inside the side fairing is a separate plastic cover, take out the screws holding it in place and remove the cover and the factory turn signal from the side fairing. From here you can disconnect the factory turn signal wires.

Step Three: Attach your LED Light Pods to the top of the Lower Light brackets mounting surface. On the left side of the bike you will need to use a zip tie through the slot in the back of the bracket to secure bike cables rearward to keep them from rubbing the back of the light pod.

Step Four: Reassemble the plastic cover to the side fairing without the turn signal. You can now mount the side fairings back on to your bike and adjust your installed Denali LED Light pods. The light Pods should sit recessed back slightly from the front lip of the fairing and spaced evenly from the top and sides of the walls.