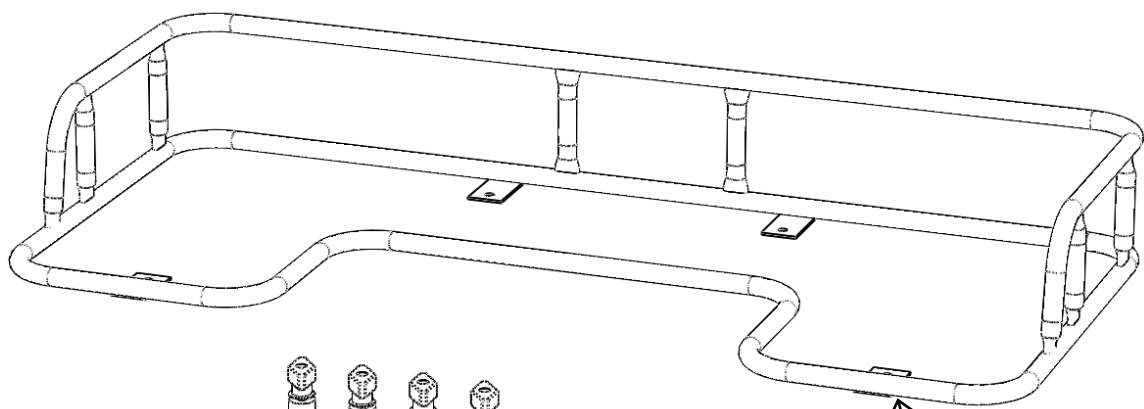


# 2014 Sportsman Cargo Rack Installation Kit



The Sportsman Cargo Rack Installation Kit fits Polaris Sportsman Models all models from 2006-current year. Some Sportsman are equipped with a metal bar around the rear of the deck that must be removed prior to installing the Sportsman Cargo Rack. The Kit comes with a Cargo Rack and 4x Twist Lock Anchor Assemblies.

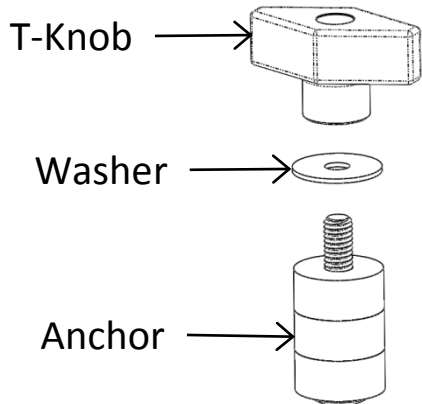


Twist Lock Anchor  
Assemblies

Cargo Rack

# Installation:

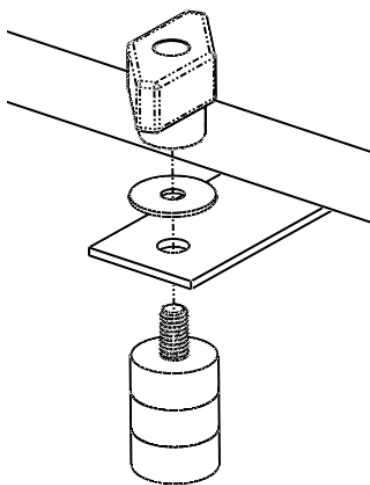
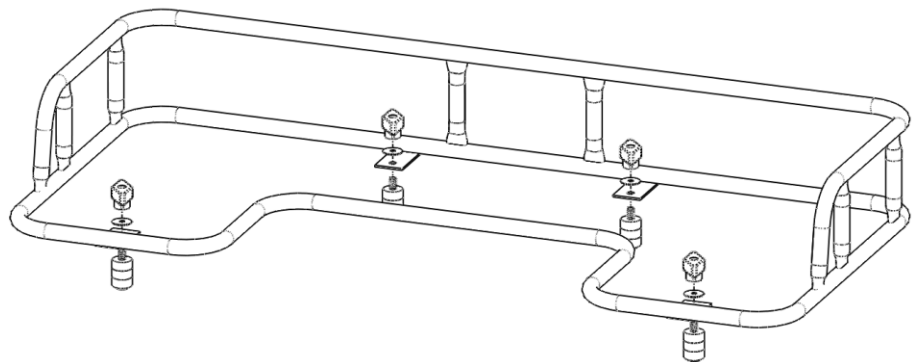
## Step 1:



Remove the T-Knob and Washer from each of the Anchor Assemblies.

## Step 2:

Insert an Anchor Assembly into each hole in the Cargo Rack.



The threads of the Anchor Assembly will fit up into the holes. Replace the Washer and T-Knob. Screw the T-Knob and Washer down until it is finger tight but can still spin freely in the hole.

Do NOT tighten beyond finger tight at this point.

### Step 3:

Lift the Cargo Rack into place, locating the Anchor Assemblies into the Mounting Holes located on the rear.

If an Anchor will not enter a mounting hole, make sure that none of the T-Knobs are threaded too tight.



### Step 4:

Tighten the T-Knobs of each Anchor Assembly. Once they have been tightened, the Sportsman Cargo Rack has been successfully installed.

