



bajadesigns
The Scientists of Lighting

**Polaris Pro XP (20-On) 10" Hood Mount kit
44-7166, 44-7167**



185 Bosstick Boulevard • San Marcos • CA • 92069

Phone 760-560-2252 • Fax 760-560-0383

info@bajadesigns.com • www.bajadesigns.com



baja designs[®]
The Scientists of Lighting

LIMITED LIFETIME WARRANTY

Baja Designs proudly offers a LIFETIME WARRANTY against manufacturer's defect on all the products that we manufacture.

These are comprehensive warranties; other than the exclusions below – you're covered. If your LED or HID bulb burns out, you're covered. Additionally, cutting off our connector or changing your lenses does not automatically void your warranty.

Exclusions:

Installation errors, abuse, misuse or crash damage. You must be the original owner of the product and can supply proof of purchase.

Baja Designs manufactures its own products as well as resells products manufactured by others. Baja Designs makes no express or implied warranties on products not manufactured by Baja Designs including without limitation any warranties or merchantability and fitness for a purpose. We will, however, pass on all warranties made by the manufacturer, who has sole responsibility for performing such warranties.

Baja Designs will pay the freight if your product is less than 90 days old, otherwise defective products must be returned to Baja Designs, Inc., freight prepaid. At our option, we will repair or replace items in question and return them at no charge. If the identical product is no longer available, we will replace with a similar product of equal value. Baja Designs Inc. will not be responsible for any indirect or consequential damages in connection with defective merchandise.

Items purchased through a Baja Designs authorized dealer must be returned through the dealer. Only available on LED auxiliary lights and product must be in sellable condition at MSRP. Product that has been damaged in any way after the original purchase date will be excluded from this guarantee.

Indemnification:

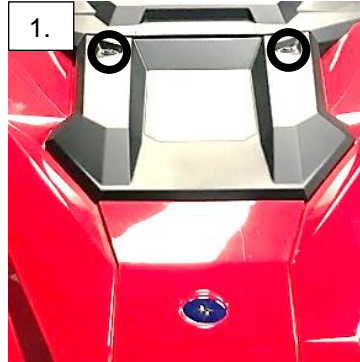
Buyer hereby acknowledges off-roading, racing and driving at night are dangerous activities and that the products and/or supplies purchased from Baja Designs are used in an inherently dangerous activity that may endanger life and limb; and in no event shall the seller, or seller's heirs and assigns, be held liable for consequential damages, nor shall seller's liability on any claim for damages arising out of or connected with the sale, delivery, or use of purchased products and/or supplies exceed the purchase price of the products and/or supplies

Polaris Pro XP 10" Hood Mount Kit

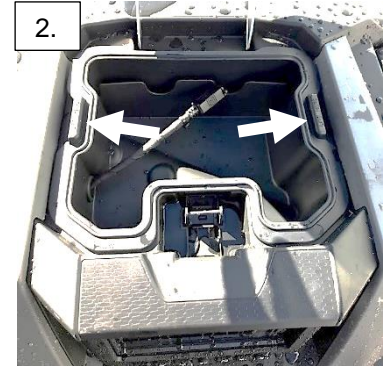
Tools Required

- 7/16" wrench
- 10mm Socket wrench
- T40 Torx bit
- Flathead screwdriver

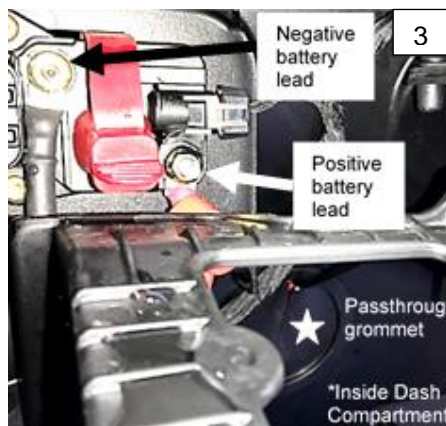
1. With the T40 Torx bit remove the bolts in the two upper circled locations. Remove the hood. Replace the two U-nuts with the provided 1/4" U-nuts.



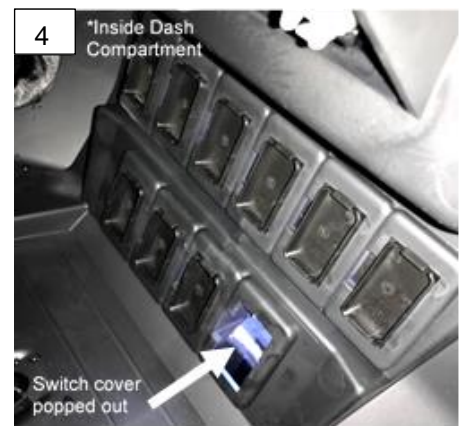
2. Open the compartment above the dash in the middle of the vehicle. Pull up on both arrowed tabs to remove tray. Place it to the side.



3. With the 10mm wrench, remove the negative battery lead (black arrow). Remove cover over the positive lead (white arrow) and then remove the lead. Place positive lead of the wiring harness over the positive battery lead and tighten. Replace Positive lead cover. Place negative lead of the wiring harness over the negative battery lead and tighten. Run the light connector lead through the starred passthrough grommet.



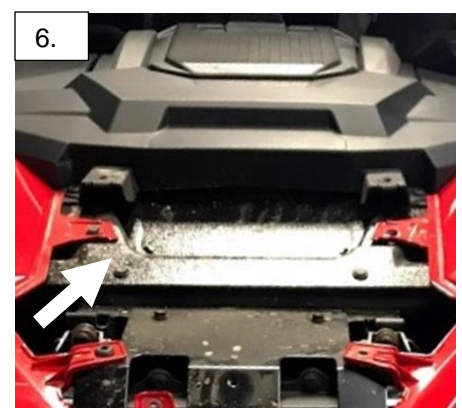
4. Still looking through the top of the dash compartment, reach in and pop out the cover in the desired switch location. Drill a 3/4" hole in the cover. Remove switch from wiring harness, note wire configuration, place switch in the cover, reconnect wires, and snap cover back into location.



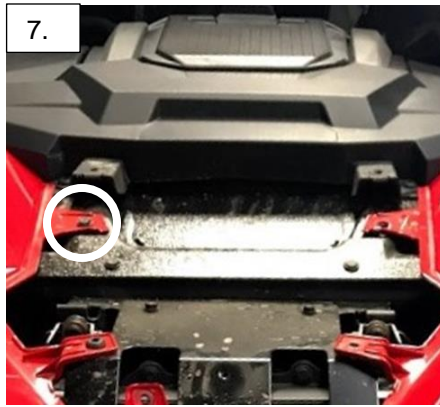
5. Tie up any excess harness inside the dash compartment safely away from other wires, or sharp objects. Replace the dash compartment tray and close the lid.



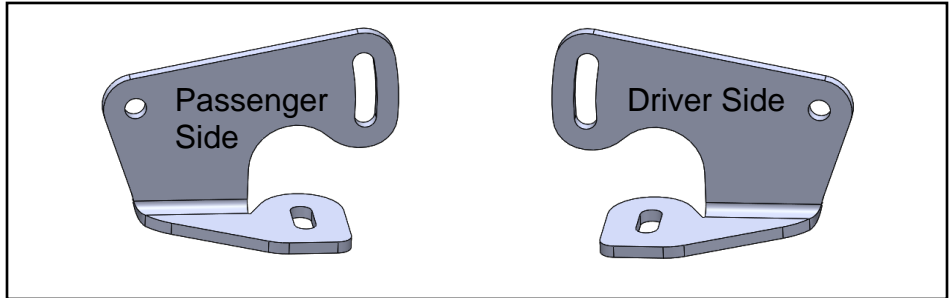
6. Route the light plug lead of the wiring harness from the passthrough in the passenger wheel well to the opening under the hood along the white arrow in the second picture.



7. Remove the circled plastic fastener with the flathead screwdriver. Route the wiring harness plug lead under the passenger side upper fender. The second image shows the arrowed location of where the harness can exit the fender to reach the light.

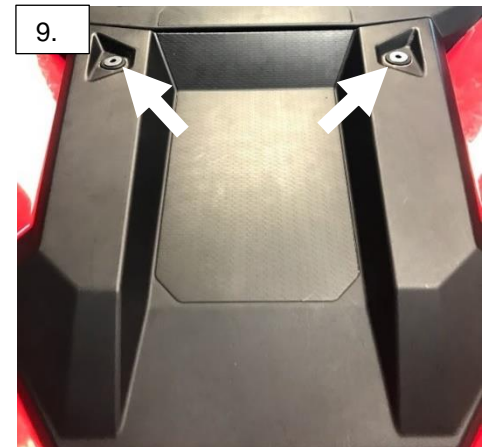
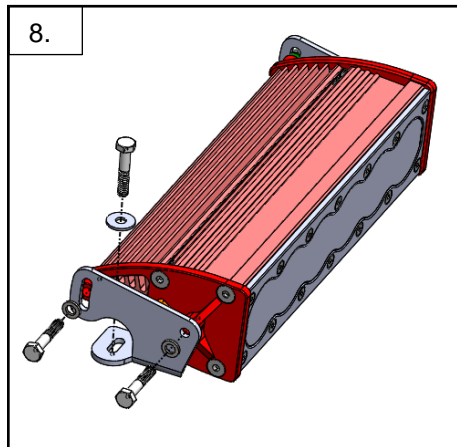


8. With the provided 1/4" hardware, use the 7/16" wrench to attach the hood brackets to the OnX6/S8 light. Place the hood mounting bolts and washers into the brackets before placing the assembly onto the hood.



9. Position the other provided washers (arrowed) over the hood mounting holes prior to mounting the light.

10. Place the assembly with mounting bolts through the hood, connect the light to the harness, and fasten the hood bolts.



Re-torque all the fasteners after 100 miles.

Your install is now complete! Thank you for choosing Baja Designs.