

### Items Supplied >

- 1 - INTAKE COVER W/ SCREEN / RING ASSEMBLY
- 1 - K&N® VENTURI AIR FILTER
- 1 - BASE MOUNTING PLATE
- 1 - BILLET VELOCITY STACK
- 1 - THROTTLE BODY COVER
- 1 - INTAKE GASKET
- 2 - BREATHER BOLT, 3/8"-16 X 1" W/ TEFLON SEALANT
- 3 - BOLT, 1/4"-20 X 7/8", BUTTONHEAD W/ LOCK PATCH
- 5 - BOLT, 1/4"-20 X 1/2", BUTTONHEAD W/ LOCK PATCH
- 3 - LOCK WASHER, 1/4" TOOTHED
- 2 - BREATHER HOSES

### Application(s) >

- |                           |       |
|---------------------------|-------|
| HARLEY:                   |       |
| DRESSER                   | 08-16 |
| SOFTAIL(THROTTLE BY WIRE) | 16-17 |

**NOTE: DOES NOT FIT CVO OR S MODELS**

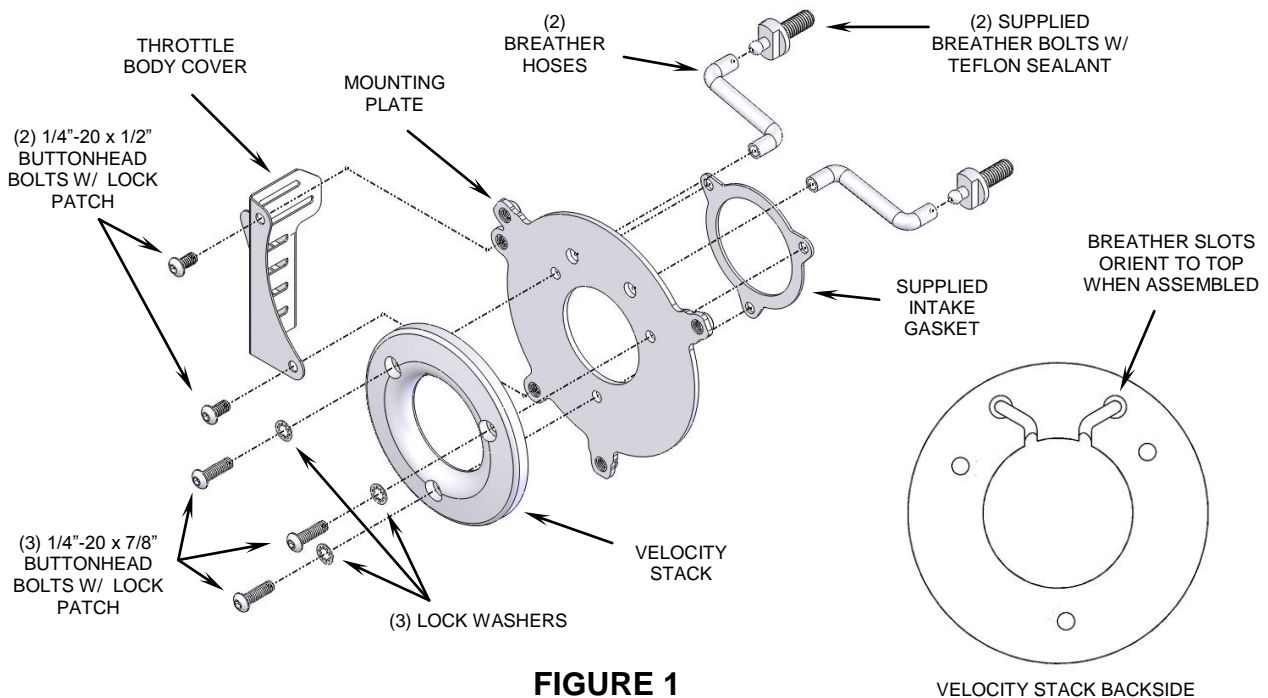
### Instruction Manual >

606-0100-01/02/03/04

Page 1 of 2

**Read all instructions carefully and completely before installing your new POWRFLO™ Intake.**

1. Remove the allen bolt from the center of the stock air cleaner to remove the cover. Remove the (3) bolts securing the formed bracket located on top of the air filter. Then remove and discard the air filter, air box and seals/gaskets.
2. Remove and discard the (2) stock breather bolts, (2) stock o-rings, and (2) stock breather hoses from the cylinder heads.
3. Insert the (3) supplied 1/4"-20 x 7/8" buttonhead bolts and lock washers through the mounting holes in the velocity stack and mounting plate. While holding that assembly together with one hand, insert the (2) breather hoses through the mounting plate and into the velocity stack with the hoses rotated outward, as shown in Figure 1. Make sure hoses are bottomed out in the back of the velocity stack.
4. Join together the assembly from Step 3 with the supplied gasket then start threading the (3) buttonhead bolts into the throttle body, but do not tighten.



**\* Cobra recommends you always wear a helmet while riding. Please never operate your motorcycle while under the influence of alcohol and/or drugs. Enjoy the new look of your motorcycle and please ride safely.**

5. Insert the breather bolts into the cylinder heads and full tighten. Now snug the (3) buttonhead bolts evenly, and then fully tighten them to the throttle body.
6. Insert outer end of rubber hoses over nipples on breather bolts.
7. Place the supplied K&N® filter onto the velocity stack. Insert the round intake screen into the chrome ring so the screen sits inside the edge of the ring. Place the ring and screen between the legs of the naked chrome intake cover as shown in Figure 2.
8. Place the naked intake cover, ring and screen assembled in Step 7, over the air filter and align each leg to the base mounting plate threaded holes. Be sure screen sits at a 45 ° angle to the bottom leg, and C/V logo'd leg is at the upper left position. Insert the (3) supplied 1/4"-20 x 1/2" buttonhead bolts through the intake cover and into the base mounting plate, see Figure 2. Double check all parts are aligned properly and tighten securely.

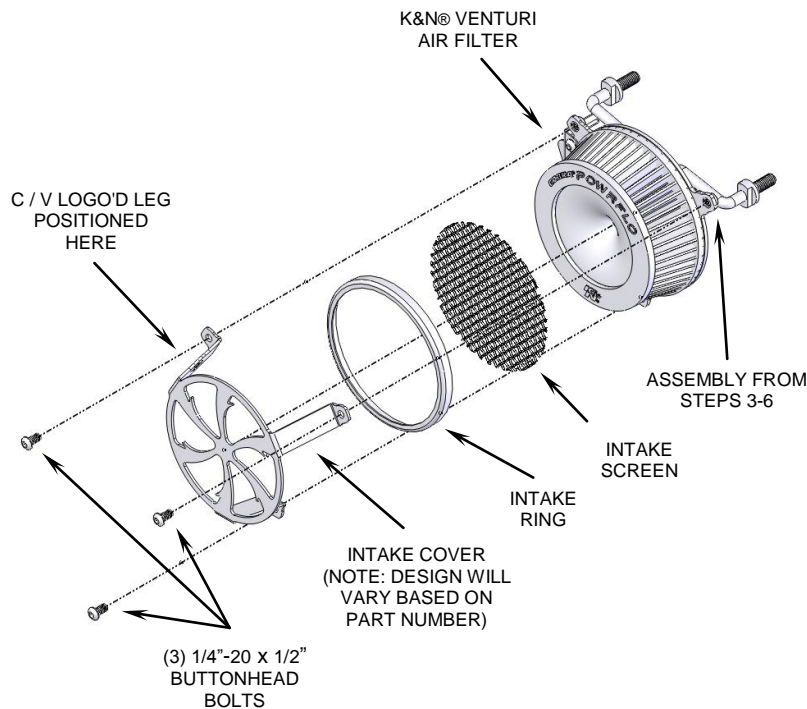


FIGURE 2

### CALIFORNIA CUSTOMERS:

In California, aftermarket parts that have been identified specifically as replacement parts or that have received an Air Resources Board Executive Order may be used on street motorcycles.

All other emissions related aftermarket parts are for competition use only. A list of replacement parts and EO parts, and corresponding fitment is provided at: [www.cobrausa.com](http://www.cobrausa.com)