



# YOSHIMURA

RESEARCH&DEVELOPMENT OF AMERICA, INC.

5420 DANIELS STREET STE A, CHINO CA 91710 · (800) 634-9166 · (909) 628-4722 · FAX (909) 591-2198

[www.yoshimura-rd.com](http://www.yoshimura-rd.com)

## **ENDURO SERIES**

Qualified Manufacturer Declared "Replacement Part"

**Kawasaki**

**2011~2019 KLX140**

**2011~2019 KLX140L**

**2017~2019 KLX140G**

**24140AH320 (AL/CF)**

**Works Finish**

**RS-9 Stainless Steel Full-System**



Enduro Series systems are:

- Equipped with USFS-approved spark arrestor.
- CARB/EPA tail-pipe emissions compliant.
- All applications are marked with appropriate EPA noise labels.
- Have not been tested for EPA new vehicle noise compliance.

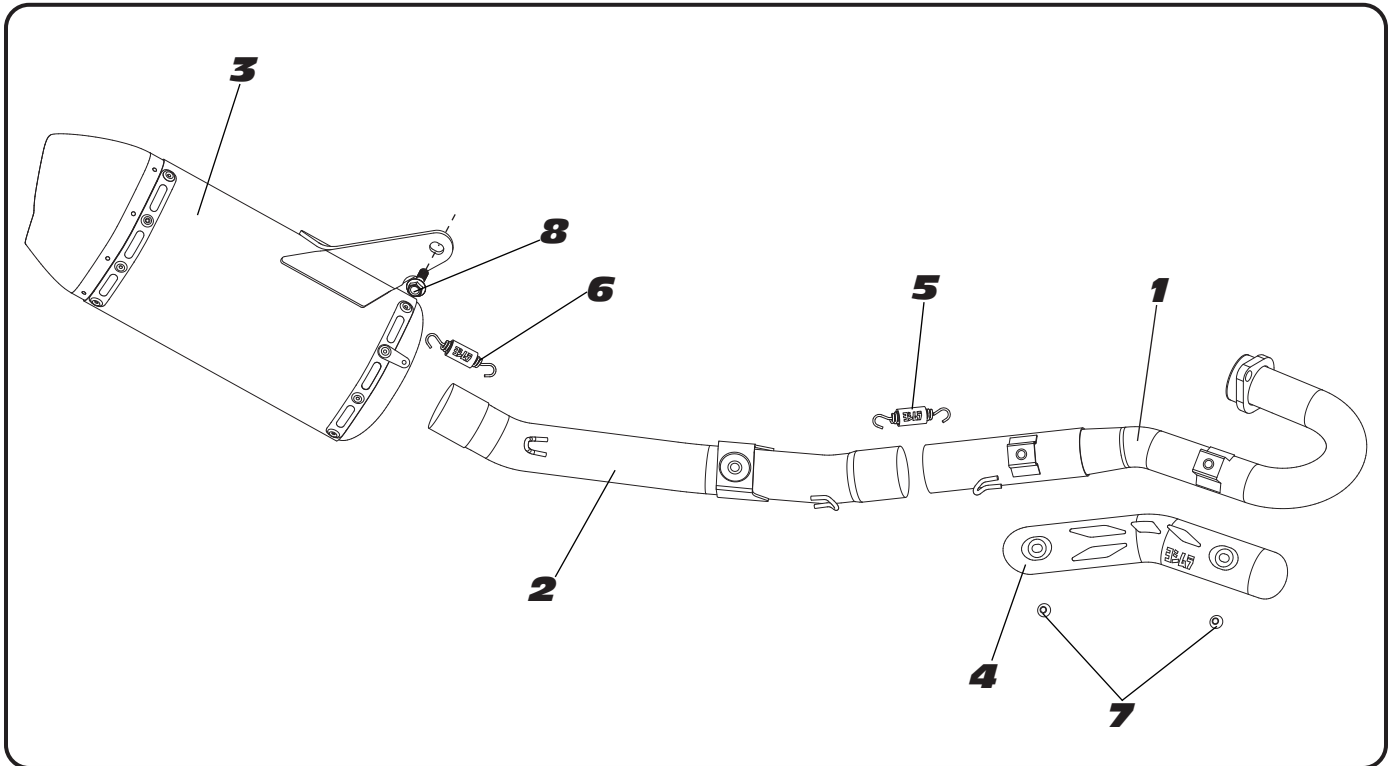


**CAUTION:** The muffler packing on this system **MUST** be replaced every 6-8 hours of use, or after each moto. Failure to follow recommended muffler re-packing interval can cause muffler damage and may void the warranty.



NOTE: IN THE STATE OF CALIFORNIA, IT IS ILLEGAL TO MODIFY THE EMISSION CONTROL SYSTEM, WHICH INCLUDES THE CARBURETORS OF ANY VEHICLE.

## Assembly Diagram



<b>NO.</b>	<b>DESCRIPTION</b>	<b>QTY</b>	<b>PART #</b>
1	Yoshimura Header	1	24140-101
2	Yoshimura Tailpipe	1	24140-144
3	Yoshimura Muffler	1	24140AH320-RMA
4	Yoshimura Heatsheild	1	24140-HS
5	Medium, Spring	1	RACE-SPS-1
6	Short, Spring	1	RACE-SPX-1
7	6x8mm Flange Button Head Screw	2	RC116HSB
8	8x20mm Flange Hex Bolt	1	M8X20H
**	Spring Puller Tool	1	ST-200
**	Spark Arrester Kit	1	SA-15-K
**	Yoshimura Vinyl Sticker	1	17029

**Note:** Spark arrester must be installed for USFS compliance.

\*\*Not shown in diagram

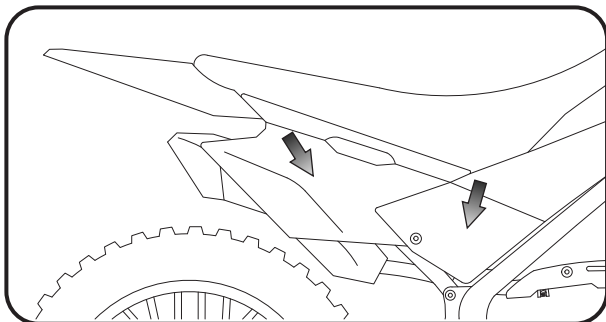
**CAUTION:** Exhaust system can be extremely hot. Let motorcycle cool down before beginning installation. Always wear hand and eye protection and take precautionary measures to avoid injury.

**WARNING:** Always properly support vehicle with a stand and/or lift when servicing or performing any work. Unstable vehicles may present dangerous conditions and may cause property damage and/or personal injury.

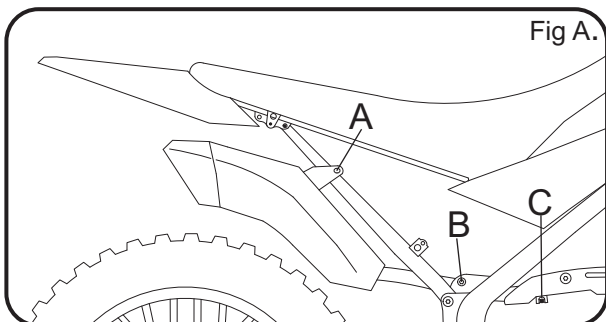
**NOTE:** Read through all instructions before beginning installation.

## Removal

1. Remove right side cover.



2. Loosen barrel band clamp (C) as shown in Fig A. While securely supporting the stock muffler assembly remove the muffler chassis mount bolt (A), and tailpipe chassis mount bolt (B) as shown in Fig A. Carefully remove the stock muffler assembly.

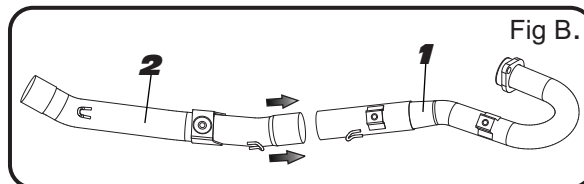


3. While securely supporting the stock header, remove the header nuts and carefully remove the stock header.

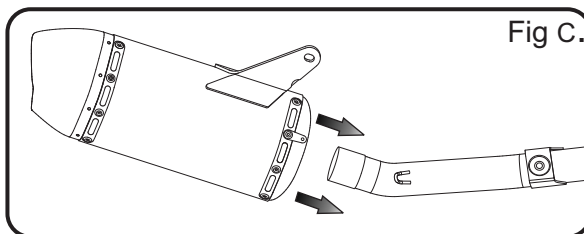
Note: The stock exhaust port gasket will be re-used with the Yoshimura system. Inspect and replace if necessary.

## Installation

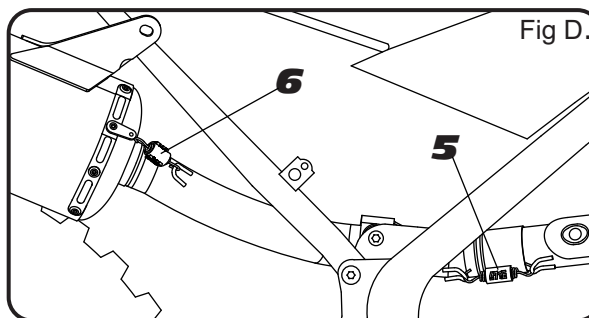
1. Install (No. 1) 24140-101, Yoshimura header using the stock header nuts. Do not torque at this time.
2. Install (No. 2) 24140-144, Yoshimura tailpipe inlet over (No. 1) 24140-101, Yoshimura header outlet as shown in Fig B. Align tailpipe chassis mount bracket to the stock tailpipe mount location (B), as shown in fig A. Using the stock bolt secure (No. 2) 24140-144, Yoshimura tailpipe. Do not torque at this time.



3. Install (No. 3) 24140AH320-RMA, Yoshimura muffler inlet over (No. 2) 24140-144, Yoshimura tailpipe outlet as shown in Fig C. Align muffler chassis mount bracket to the stock muffler mount location (A), as shown in Fig A. Using (No. 8) M8X20H bolt secure (No. 3) 24140AH320-RMA, Yoshimura muffler. Do not torque at this time.

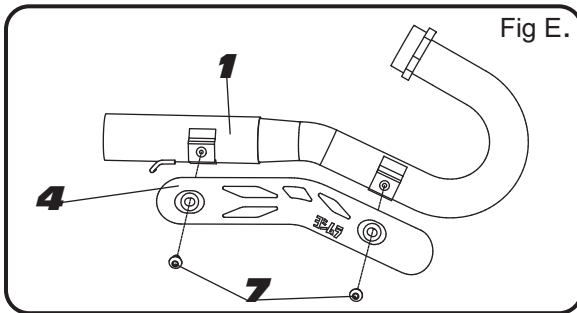


4. Install (No.6) RACE-SPX-1, small spring between (No. 3) 24140AH320-RMA, Yoshimura muffler inlet and (No. 2) 24140-144, Yoshimura tailpipe outlet as shown in Fig D.
5. Install (No. 5) RACE-SPS-1, medium spring between (No. 1) 24140-101, Yoshimura header outlet and (No. 2) 24140-144, Yoshimura tailpipe inlet as shown in Fig D.

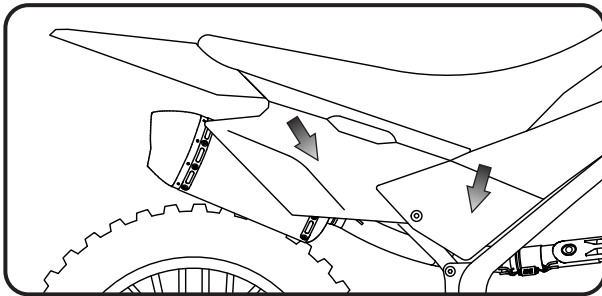


6. Torque (No. 8) *M8X20H* muffler chassis mount bolt to 30 Nm (3.0 kg-m, 22 ft-lb).
7. Torque stock tailpipe chassis mount bolt to factory specification.
8. Torque stock header nuts to factory specification.
9. Install (No. 4) *24140-HS*, Yoshimura heatsheild onto (No. 1) *24140-101*, Yoshimura header using two (No. 7) *RC116HSB*, 6x8mm flange button head screws as shown in Fig E. Torque (No. 7) *RC116HSB*, 6x8mm flange button head screws to 13.5 Nm (1.35 kg-m, 10 ft-lb).

Note: It is recommended to use thread-lock with (No. 7) *RC116HSB*, 6x8mm flange button head screws.



10. Reinstall right side cover.



11. Before starting vehicle, check for proper clearance between new exhaust system and rear suspension (i.e. tire, swingarm, brakes, rear shock, and etc.) If any problem is found, please carefully follow through the installation steps again. If problem still persists, please call Yoshimura Tech Department at (800) 634-9166 / in CA (909) 628-4722.
12. It is recommended that the muffler and tailpipe be wiped down with rubbing alcohol to remove oil and fingerprints. This will help prevent tarnishing of the finish after the exhaust is heated up.

Note: After starting vehicle, it is normal for new exhaust system and muffler to emit smoke until oil residue burns off.

## Works Finish Care & Maintenance

Before starting vehicle, clean pipe thoroughly using a soft cloth and rubbing alcohol to remove any oil and finger prints.

The color of the exhaust will change once the system has gone through a heat cycle of 15 minutes or more. Color will vary depending on lean/rich conditions.

Clean using a soft cloth and soap. Do not use abrasive materials as it will scratch the surface.

Surface reconditioning services are available to remove scratches and undesirable discoloration due to extreme heat. Contact Yoshimura Tech Department at (800) 634-9166 / in CA (909) 628-4722 for more information.



# YOSHIMURA

RESEARCH&DEVELOPMENT OF AMERICA, INC.

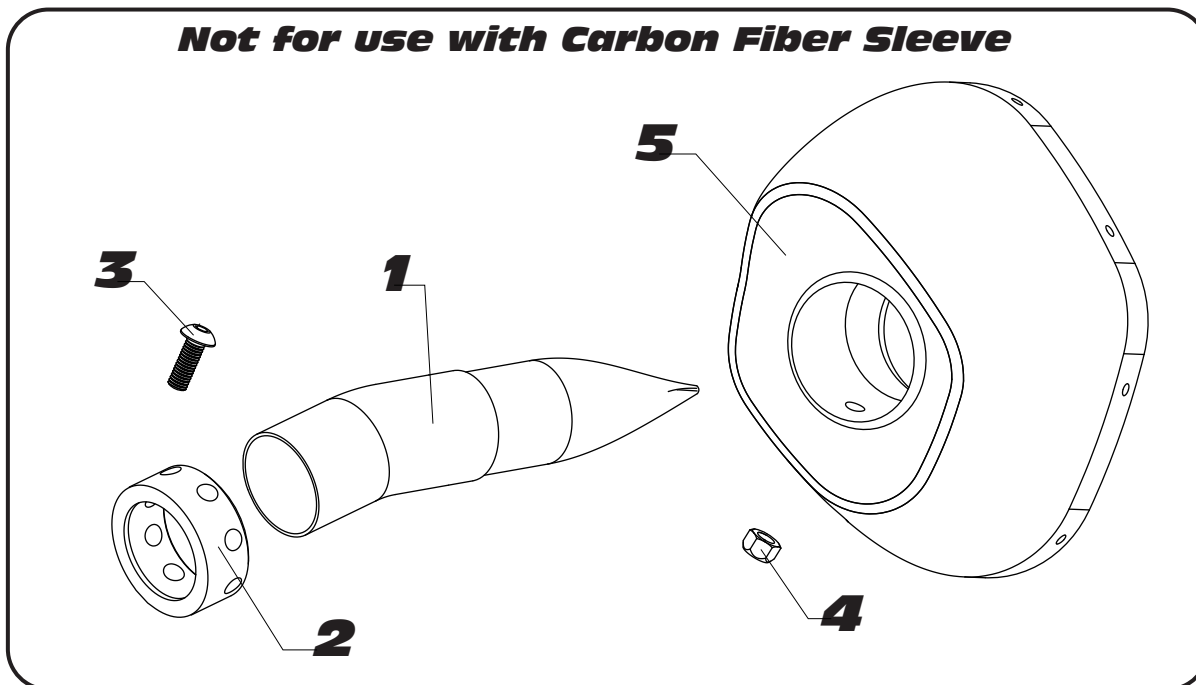
5420 DANIELS STREET SUITE A, CHINO, CA 91710 · (800)634-9166 · (909)628-4722 · FACSIMILE (909)591-2198

[www.yoshimura-rd.com](http://www.yoshimura-rd.com)

**SA-15-K**

**SA-RS9-B Spark Arrestor Cleaning Information**

**Not for use with Carbon Fiber Sleeve**



Parts Diagram

NO.	DESCRIPTION	QTY	PART #
1	RS9 Spark Arrestor	1	SA-RS9-B
2	RS9 Insert Ring	1	RS9-RING-1125
3	5mm x 14mm Button Head Screw	1	M5X14BHS
4	5mm Lock Nut	1	5MMLN-U
5	Yoshimura Exhaust	**	**
**	USFS Spark Arrestor Label	1	17086

**Tools Needed:** 4mm Allen Key • 8mm Deep Socket • Wire Brush • Pair of Gloves • Safety Glasses

1. Using a 4mm allen key and 8mm deep socket, remove the bolt and nut that secures the aluminum ring and spark arrestor to the muffler (see Parts Diagram).
2. Remove the spark arrestor from the muffler.
3. Using a wire brush, remove carbon deposits from spark arrestor screen. Inspect the screen for excessive wear or damage. If spark arrestor is excessively worn or damaged, the spark arrestor must be replaced. Cleaning and inspection should be performed after every 60 hours of use.

**CAUTION:** Gloves and safety glasses should be worn while cleaning spark arrestor.

4. Re-install spark arrestor and aluminum ring. Torque the spark arrestor securing bolt to 1.0kg-m (7.3lb-ft).  
**NOTE:** It is recommended that a low strength "Loc-tite" is used on the spark arrestor securing bolt.

5. Apply provided USFS certified spark arrestor label on the top rear of the muffler sleeve where visible

**Note:** Clean muffler surface with rubbing alcohol before applying label.