



INSTALLATION & USER'S GUIDE

TorqDrive[®] Clutch Pack
for DDS clutches

Doc ID: 191-2885A

Revision: 052118

TABLE OF CONTENTS

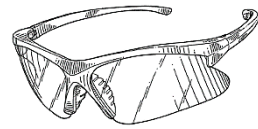
OVERVIEW	2
INSTALLATION TIPS	3
TOOLS NEEDED	3
INCLUDED PARTS	4
DISASSEMBLE THE CLUTCH	5
INSPECT THE DAMPERS	7
CLUTCH PACK INSTALLATION.....	8
Notes for installation.....	8
Install the clutch pack.....	9
Finish installation	12
MAINTENANCE.....	14
Disk inspection examples	15
TROUBLESHOOTING.....	16
Performance issues	16
Clutch noise	16
NEED ADDITIONAL HELP?.....	17

OVERVIEW

This kit replaces the OE (Original Equipment) clutch pack with a Rekluse TorqDrive® clutch pack. The following parts are replace:

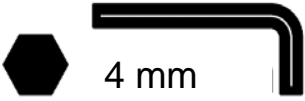





- All OE steel drive plates will be replaced with Rekluse TEC drive plates.
- All OE friction disks will be replaced with Rekluse TorqDrive® disks.

INSTALLATION TIPS

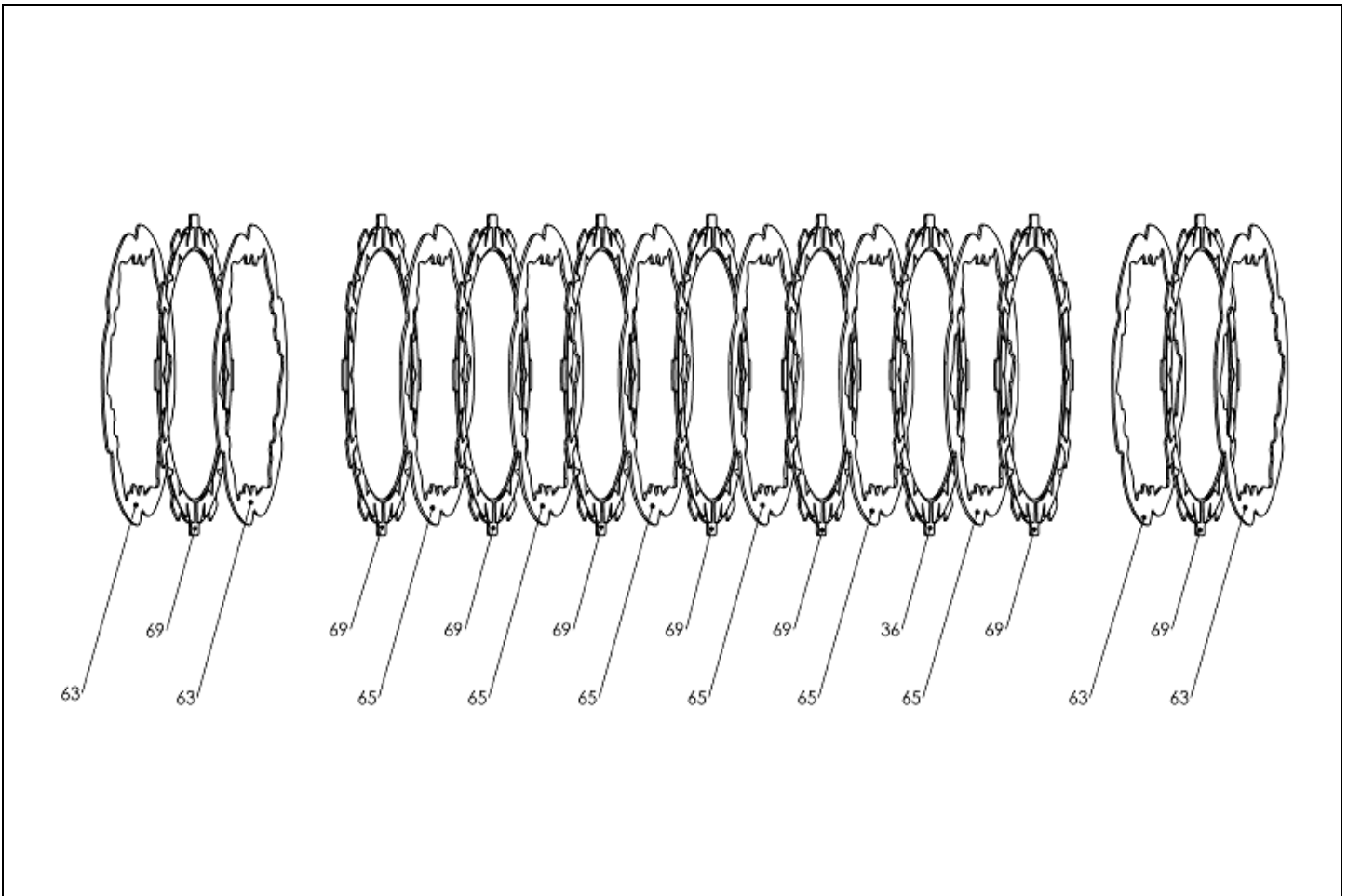


- Read the safety information sheet included with your kit.
- Protect eyes and skin – wear safety glasses and thin disposable work gloves.
- Read this entire document before performing any steps.
- Lay the motorcycle on its left side when replacing the clutch. This makes the clutch work easier and eliminates the need to drain the oil.
- Use clean, quality JASO-MA or JASO-MA2 certified transmission oil for best performance.
- **This clutch pack is not legal to race with in the AMA Limited or Stock class.**

TOOLS NEEDED

 <p>4 mm</p>	 <p>5 mm</p>	 <p>8 mm</p>	
<p>4 mm Hex Key</p>	<p>5 mm Hex Key</p>	<p>8 mm Socket</p>	<p>T-25 Torx Bit</p>
			
<p>Torque Wrench</p>	<p>Fluid Catch Container</p>		

INCLUDED PARTS

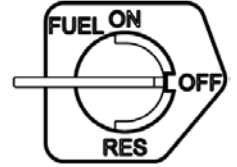


Item	Description	Qty.
63	Steel TEC drive plates – .040” (1 mm)	4
65	Steel TEC drive plates - .048” (1.2 mm)	6
69	TorqDrive® friction disks	9

Visit www.rekluse.com/support for a full parts fiche illustration and part numbers.

DISASSEMBLE THE CLUTCH

1. Turn the fuel petcock to “OFF” if applicable.
2. Lay the bike on its left side. Catch any fuel that might drain in a suitable container.

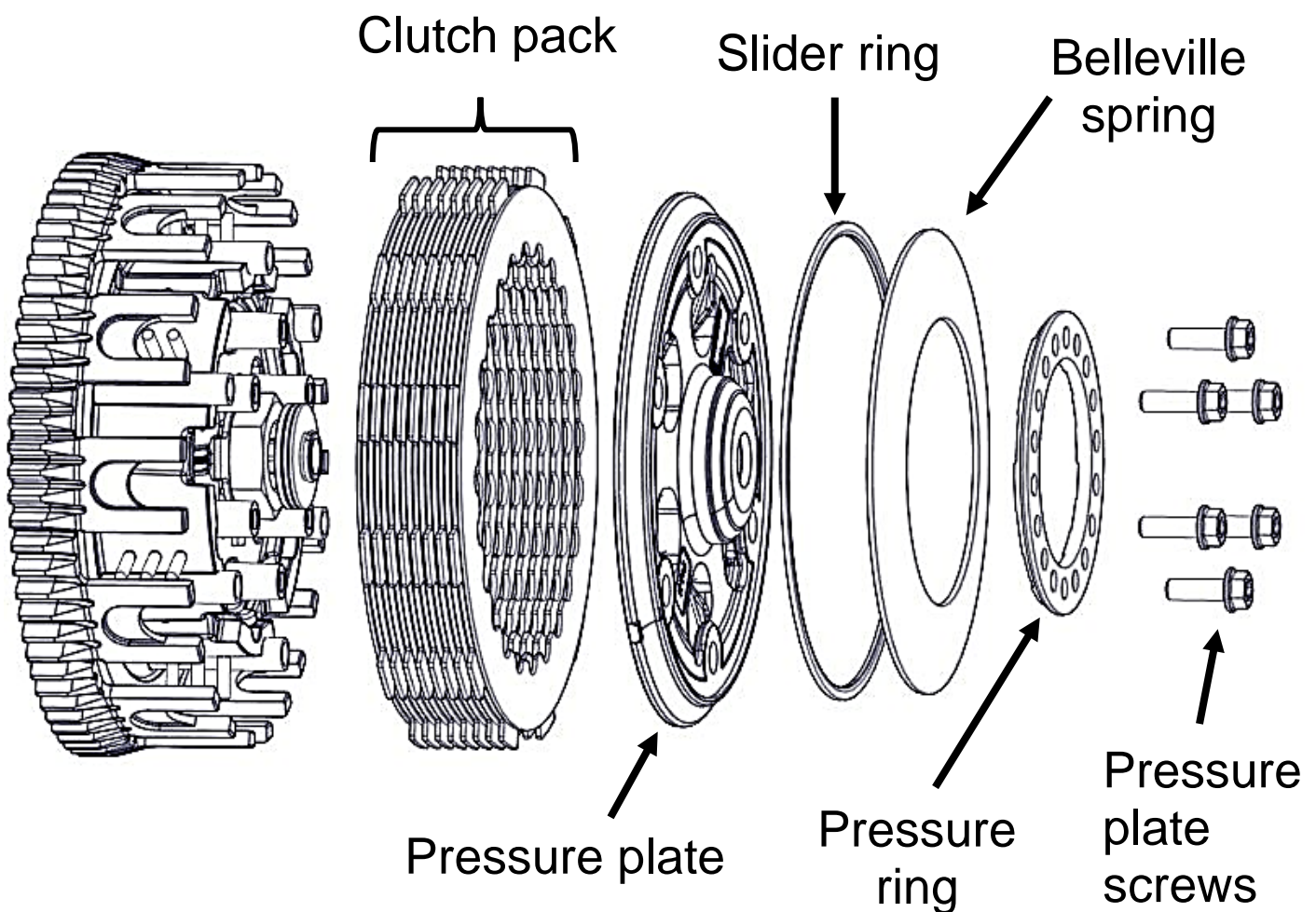


3. Use an 8 mm socket to remove the clutch cover. If your bike has an oil plug, loosen the plug before removing the cover.



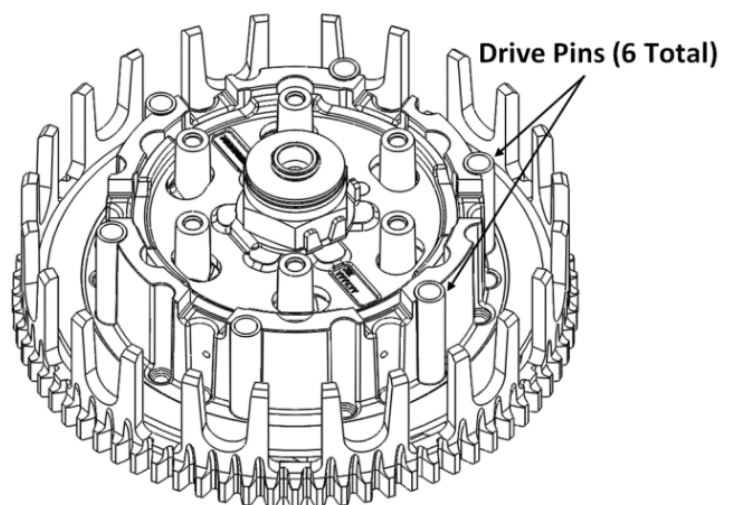
4. Use an 8 mm socket to remove the following OE parts. When removing the Belleville spring, make sure to note the orientation of the spring. See following picture for reference.

- 6 pressure plate screws
- Pressure ring
- Belleville spring
- Slider ring
- Pressure plate
- OE clutch pack



CAUTION

Be careful that the drive pins do not fall into the engine while disassembling.



INSPECT THE DAMPERS

The OE dampers inside the center hub assembly shrink due to heat and use. Any movement between the dampers will shorten the life of your clutch. Inspect the dampers before proceeding and replace if necessary. Use the following instructions to inspect the dampers.

1. With the bike in neutral, place your thumbs on the inner hub, at the location of the embossed part numbers.
2. Try to spin the inner hub back and forth inside the outer hub. If you feel movement between the hubs, replace the dampers before installing the clutch pack.
 - *KTM part number #78132025100*

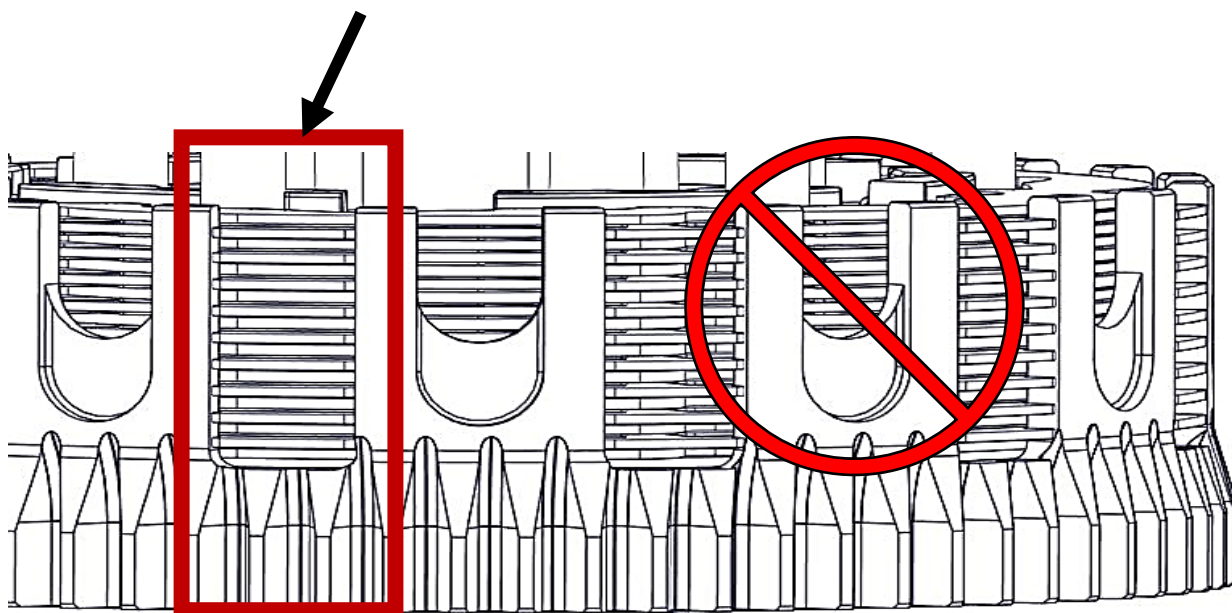


CLUTCH PACK INSTALLATION

Notes for installation

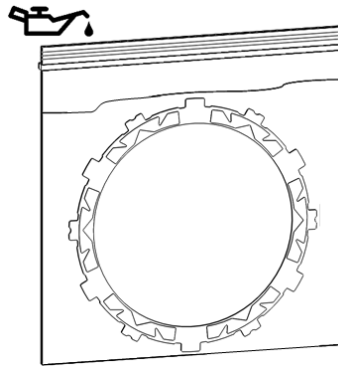
- *Some friction disks are marked with a small colored dot. This mark is used for processing and can be ignored.*
- *The orientation of the clutch pack is different for each bike. The number and thickness of drive plates included in the kit also varies by bike. Please refer to the **Setup Sheet** for specific information before installing the clutch pack.*
- *Some OE basket have “half slots” at the top of the basket tangs. Rekluse products require the entire clutch pack be installed into the MAIN (deeper) basket slots. Installing the clutch pack into the “half slots” will cause performance issues. See the following picture for reference.*

Use main (deeper) basket slots

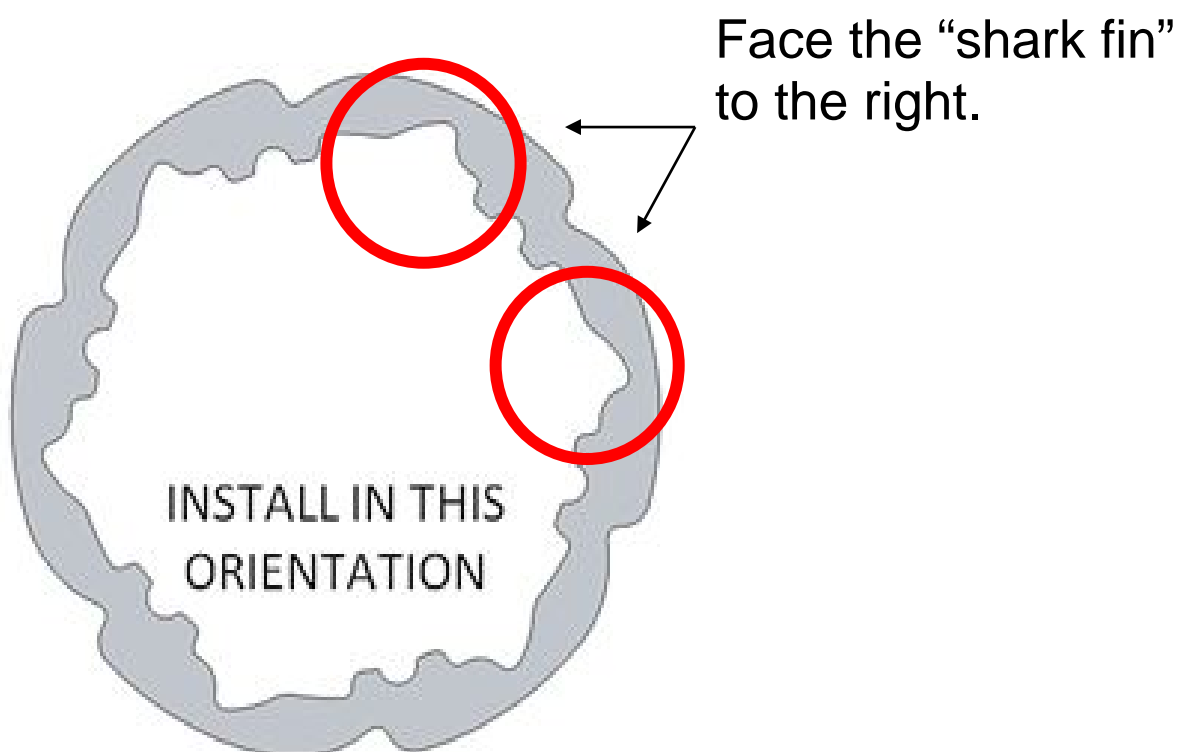


Install the clutch pack

1. Soak the friction disks in new oil for at least 5 minutes. Make sure the friction disks are coated on both sides.

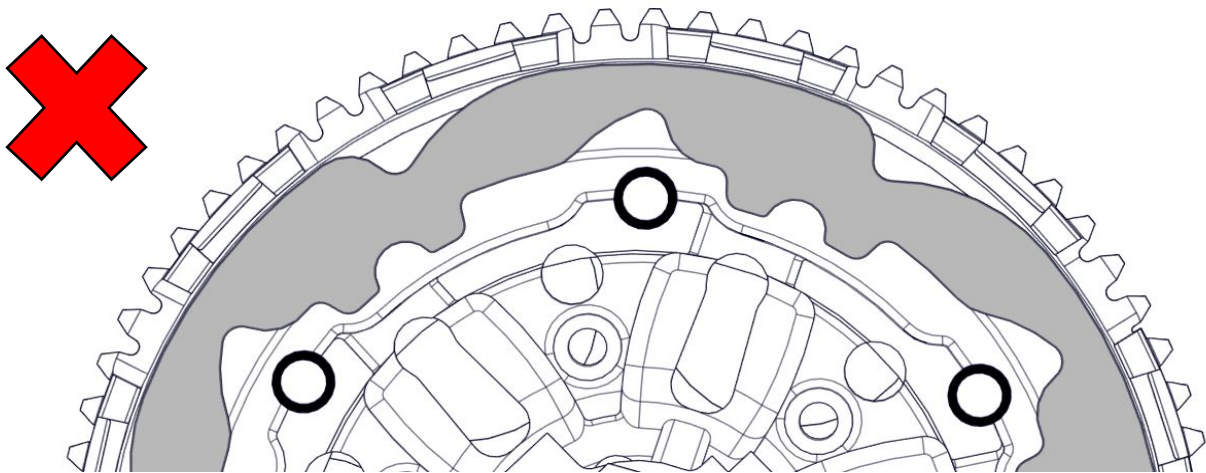
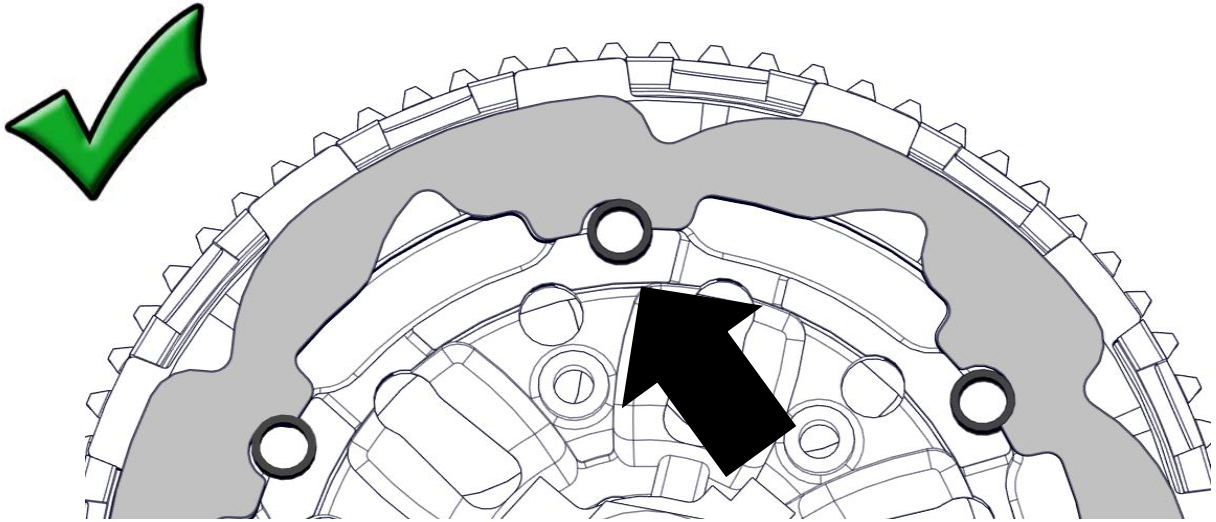


2. Hold a TEC drive plate - .040" (1 mm) so that the "shark fin" notches face toward the right. ***All the drive plates will follow this orientation.***



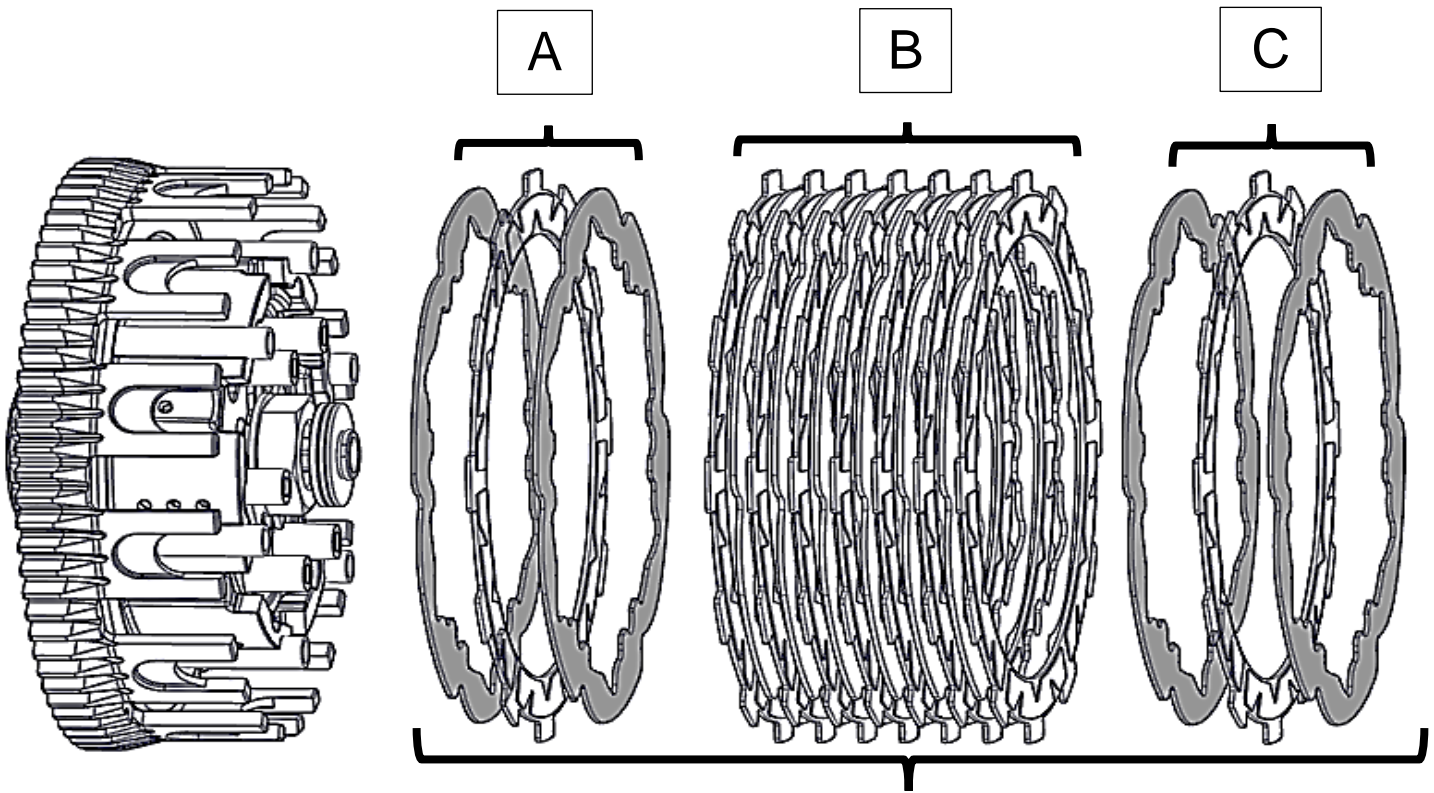
Note: Proper orientation of the drive plates is critical for optimal clutch performance. If you install them backwards the clutch will still function but will lack proper modulation performance.

3. Align the drive pin notches in the TEC drive plate with the drive pins on the hub, then install the drive plate into the basket. Be sure that the drive pins are seated in the notches and not in the bigger sections.



Note: ALL the TEC plates must be aligned in the drive pins notches or damage may occur. The plates will not move when installed correctly.

4. On top of the steel drive plate, install a Rekluse friction disk, then install a .040" (1 mm) drive plate.
5. Next, alternate 7 friction disks and 6 thick - .048" (1.2 mm) steel drive plates.
6. On top of the last friction disk, install a .040" (1 mm) drive plate, the last friction disk, and then the last .040" (1 mm) drive plate.



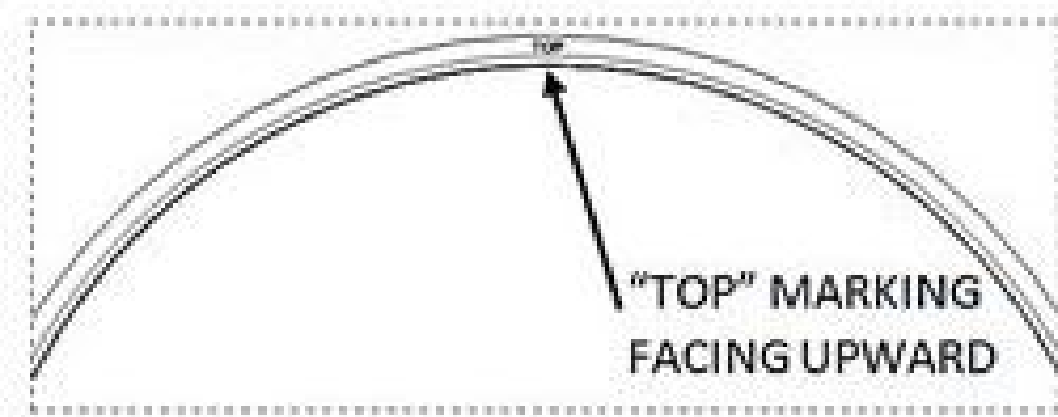
Total clutch pack:

10 steel drive plates and 9 friction disks

A	2 steel drive plates - .040" (1 mm) and 1 friction disk
B	Alternate 7 friction disks and 6 steel drive plates - .048" (1.2 mm)
C	2 steel drive plates - .040" (1 mm) and 1 friction disk

FINISH INSTALLATION

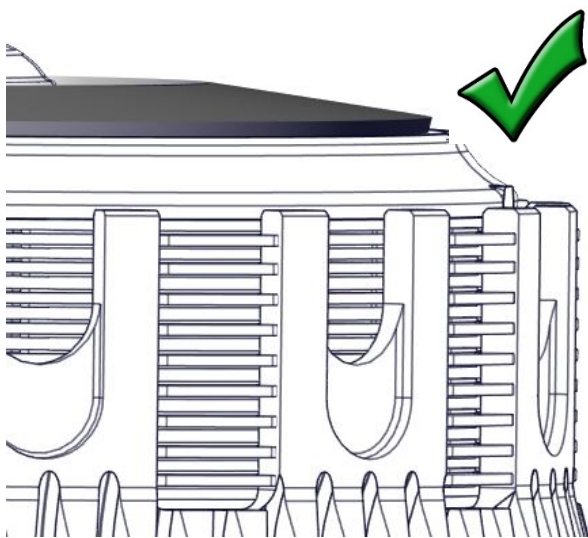
1. Reinstall the pressure plate.
2. Place the OE slider ring on the pressure plate with the “top” marking facing up. (The top side is rounded and the bottom edge is sharp.)



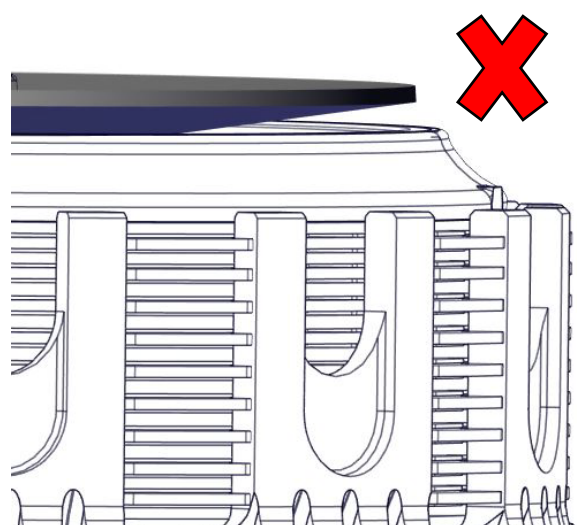
3. Place the OE Belleville spring onto the slider ring, with the rounded dome side facing up.

NOTICE

The outer edge of the Belleville spring will make contact with the slider ring. If it does not, the Belleville spring is upside down.



Correct – The Belleville spring sits flat against the slider ring.



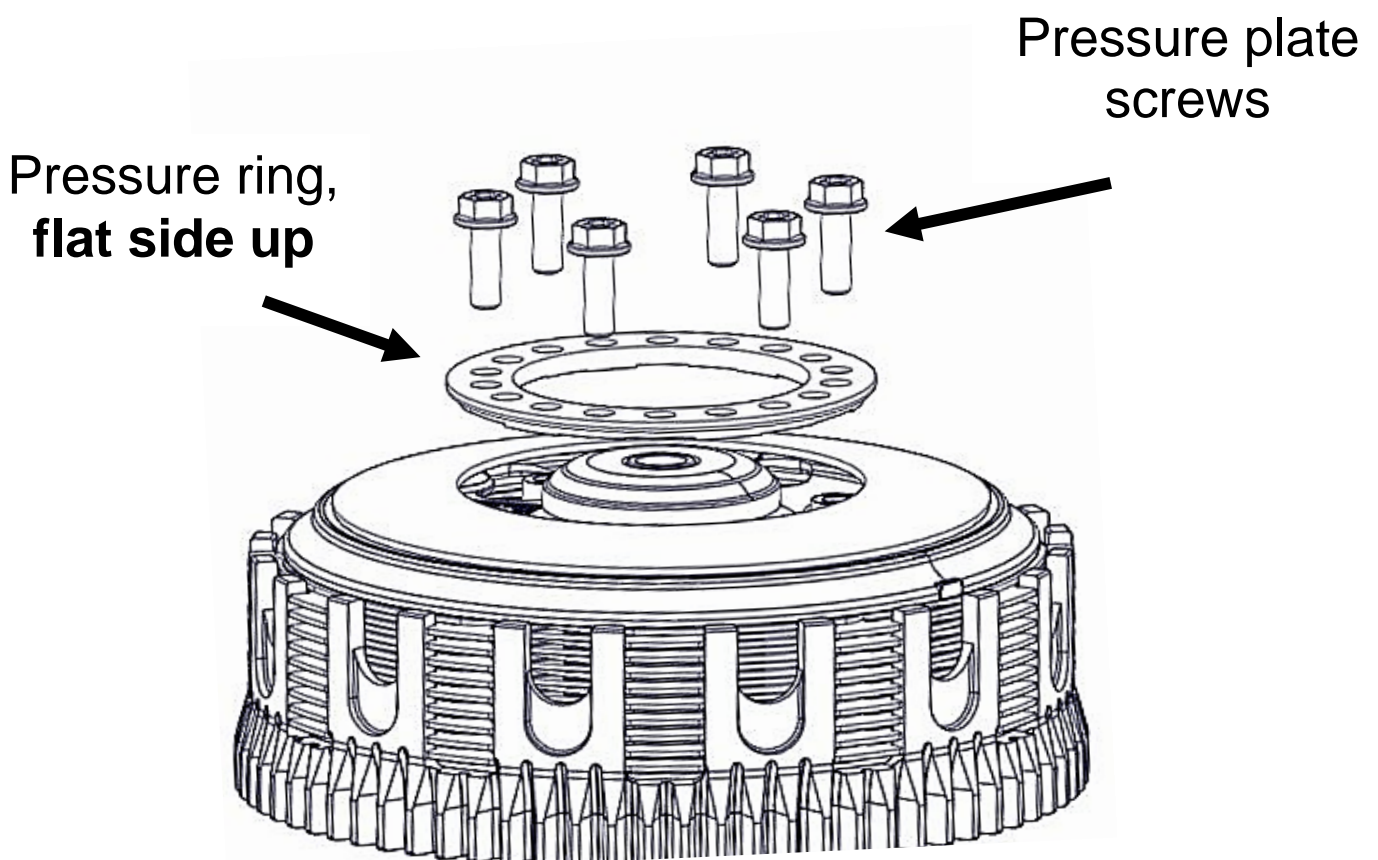
Incorrect – The Belleville spring is upside down.

4. Reinstall the pressure ring, flat side up.
5. Reinstall the pressure plate screws.

NOTICE

*There are 3 possible settings on the OE pressure ring. Please refer to the **Setup Sheet** for optimized pressure ring setting. For a simple setting, set it to setting II (4-strokes and 2017 + 2-strokes) or X (pre 2017 2-strokes). In most cases, this is the best starting point for the clutch.*

6. Loosely tighten the screws in a star pattern, then torque them in a star pattern to **55 in-lb (6 N-m)**.



7. Reinstall the clutch cover by lightly tightening the cover bolts in a star pattern. Tighten bolts in small increments before torquing the cover bolts to OE specifications. *If your bike has an oil plug, tighten the oil plug.*

MAINTENANCE

To keep your clutch performing at its best, perform regular maintenance on your bike and clutch.

- Keep up with regular oil changes as per the bike manufacturer's recommendations. Clutch performance and longevity depend on clean oil.
- Inspect all of your clutch parts for signs of wear or excessive heat, and replace components as necessary. Clutch wear is dependent on the riders use.
- The OE spring ring can be optimized based on the wear and height of the clutch pack. See the attached **Setup Sheet** for the spring ring optimization table to adjust the spring ring.
- Measuring the clutch pack can help determine if the components need replacing. See the **Setup Sheet** for the specific clutch pack measurements.
- Inspect the dampers, and replace them if you feel any movement between the two hubs. Refer to the section on inspecting the dampers for more information.
- Replace friction disks if they measure below specifications listed on the attached **Setup Sheet** or if the disks are glazed and/or burnt.
- Replace the drive plates if they show signs of excessive heat.

Disk inspection examples

When inspecting the clutch pack, the following pictures can be used as a reference. **These are best viewed in color by viewing this install document from www.rekluse.com/support.**

Drive Plates – If the clutch pack is getting high amounts of heat, purple, blue, or black color can be seen on the drive plate teeth. See pictures below. Not all drive plates look the same and may look different than pictured.



Normal Heat



High Heat
(Blue)



Excessive Heat
(Black)

Friction Disks – Due to the dark color of the friction material, the friction disks will appear almost black as soon as they are put in oil. During inspection, look for glazing of the friction material. Glazing will appear shiny and feel like glass, even after oil is cleaned from the friction disk. Not all friction disks look the same and may look different than pictured.



Normal
Friction



Glazed
Friction

TROUBLESHOOTING

Performance issues

If you find yourself adjusting the slave cylinder to fix Free Play Gain or drag, the clutch disks might be worn. Excessive heat or clutch slip can cause premature clutch failure as well. Once extreme temperatures are reached, irreversible damage will occur.

- Inspect all of your clutch parts for signs of wear or excessive heat, and replace components as necessary. Clutch wear is dependent on the riders use.
- Measuring the clutch pack can help determine if the components need replacing. See the attached Setup Sheet for the specific clutch pack measurements.

Clutch noise

Although it is harmless, some bike models may have “squeal” or “chatter” coming from the clutch at low RPM as it engages. Clutch squeal is caused by the clutch components vibrating as the clutch engages and can become more audible as the clutch gets hot. Adjusting the installed gap will NOT affect clutch squeal or chatter.

For bike models that have clutch squeal or chatter here are some recommendations to reduce or eliminate it:

- Change the oil: Rekluse recommends that you have fresh, clean JASO-MA or JASO-MA2 rated oil for best clutch performance. Dirty or old oil can make the clutch more likely to squeal or chatter.

NEED ADDITIONAL HELP?

Website

www.rekluse.com/support

Frequently asked questions

www.rekluse.com/faq

Support Videos

www.rekluse.com/support/videos

Phone

(208) 426-0659

Technical Support

Contact Technical Support for questions related to product installation, tuning, and performance.

Hours:

Monday thru Friday: 8:00 a.m. - 5:00 p.m.

Mountain Time zone

Email: tech@rekluse.com

Customer Service

Contact Customer Service for additional product information, orders, and returns.

Hours:

Monday thru Friday: 8:00 a.m. - 5:00 p.m.

Mountain Time zone

Email: customerservice@rekluse.com

