



YOSHIMURA

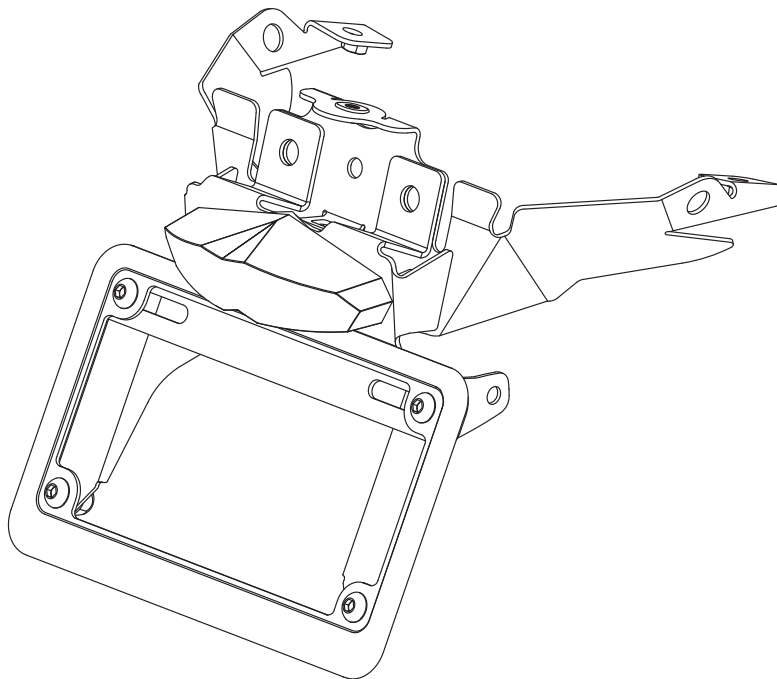
RESEARCH&DEVELOPMENT OF AMERICA, INC.

5420 DANIELS STREET STE A, CHINO CA., 91710 · (800) 634-9166 · (909) 628-4722 · FAX (909) 591-2198

www.yoshimura-rd.com

FENDER ELIMINATOR KIT

070BG153500
BMW G310R

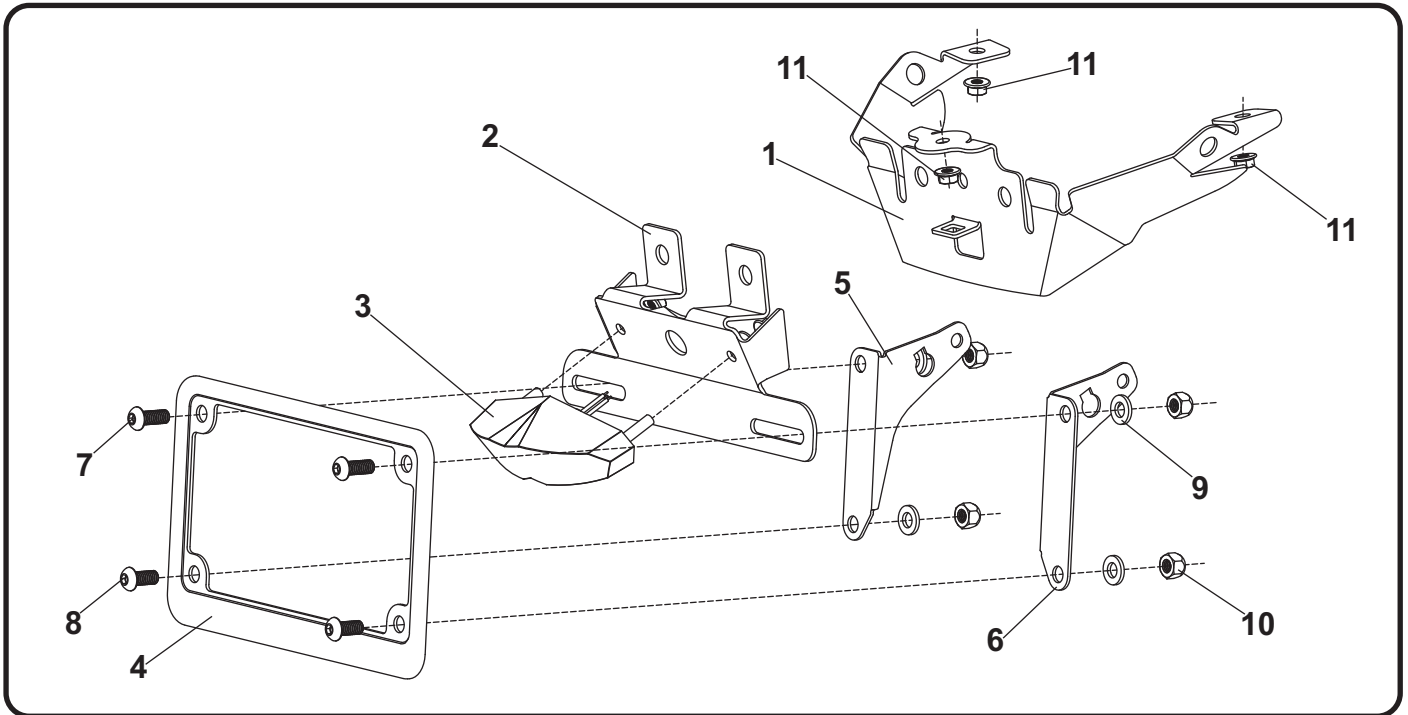


THIS PRODUCT IS NOT DOT APPROVED.

Yoshimura R&D of America, Inc. is not liable or responsible for any resulting event caused by the installation of this product. Check with local laws and regulations for compliance prior to installation and use. This product is not intended for use on public highways.



Assembly Diagram



No.	Item	Description	Qty.
1	15350-FEBKT-1	Fender Eliminator Bracket	1
2	15350-FEBKT-2	License Plate Bracket	1
3	HB025024	Brake / Tail / License Plate Light	1
4	070BG-LPF	License Plate Frame	1
5	15200-TSB-L	Left Turn Signal Bracket	1
6	15200-TSB-R	Right Turn Signal Bracket	1
7	M6X16BHS	6mm x 16mm Button Head Screw	2
8	M6X14BHS	6mm x 14mm Button Head Screw	2
9	6MMWASHER	6mm Washer	4
10	6MMLN	6mm Nylon Lock Nut	4
11	5MMFNUT	5mm Flange Nut	3
**	BN-SSS-22-18	Butt Connectors	3
**	17029	Yoshimura Sticker Sheet	1
Optional Parts			
	072BGLTSFK	Yoshimura LED Front Turn Signal Kit	
	072BGLTSR	Yoshimura LED Rear Turn Signal Kit w/ Relay	
	070BGUNVTBKT	Universal Turn Signal Bracket Kit	

** Not shown on diagram.

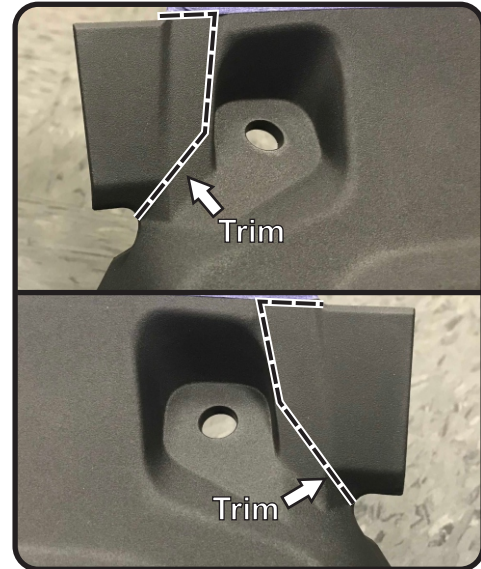
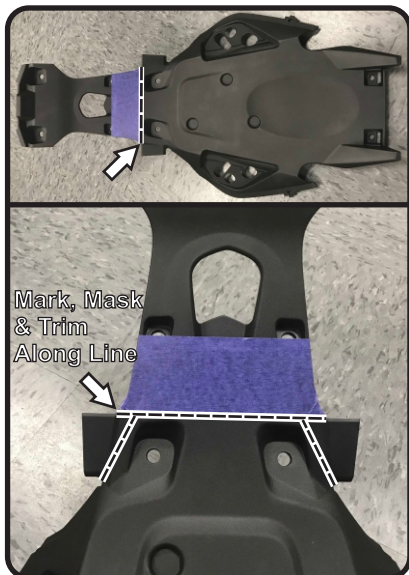
*** The Yoshimura Universal Turn Signal Bracket Kit is to be used with aftermarket stud-mounted turn signals and is sold separately.

Removal

1. Remove rider seat.
2. Locate and disconnect brake/tail light, license plate light, and rear turn signal connectors.
3. Remove left and right passenger grab handles.
4. Remove left and right rear tail cowlings.
5. Remove rear center wedge-shaped trim panel.
6. While securely supporting the stock fender assembly, remove the four fender nuts and carefully remove the stock fender assembly making sure not to damage connectors.
7. Remove lower rear cover.

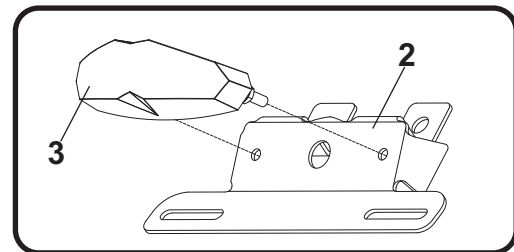
Note: It is required to trim the lower rear cover when installing the Yoshimura fender eliminator kit.

8. While securely supporting the stock fender assembly, remove the bolts securing fender assembly to subframe and carefully remove the stock fender assembly.
9. Disassemble and remove left and right turn signals from the stock fender assembly.
10. Cut the stock license plate light connector wires on the stock fender assembly side. Be sure to cut at least a 6" section of wire from the connector.
11. Using masking tape and marker, mark and mask lower rear cover as shown. Cut and trim using a rotary tool and file edges smooth removing any burrs.

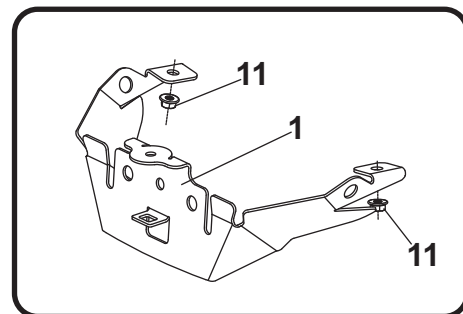


Installation

1. Install (No. 3) *HB025024*, light onto (No. 2) *15350-FEBKT-2*, license plate bracket.

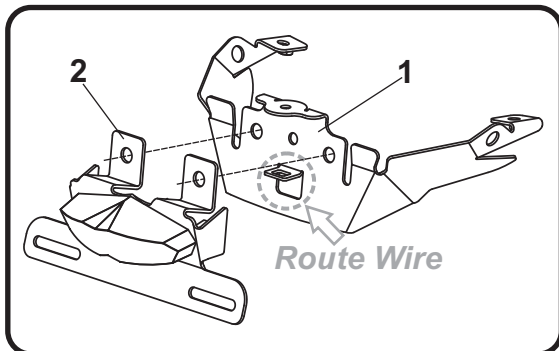


2. Install (No. 1) *15350-FEBKT-1*, fender eliminator bracket to subframe using the two stock bolts and supplied nut. Do not torque at this time.

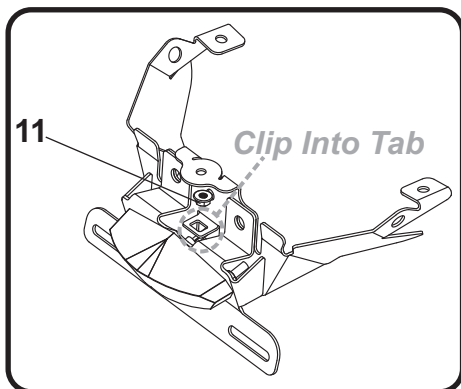


3. Re-install trimmed lower rear cover using the four stock bolts. Adjust trimming if necessary to (No. 1) *15350-FEBKT-1*, fender eliminator bracket.

- Route brake/tail/license plate light wires through (No. 1) 15350-FEBKT-1, fender eliminator bracket. Align the two holes on (No. 2) 15350-FEBKT-2, license plate bracket to (No. 1) 15350-FEBKT-1, fender eliminator bracket and secure to subframe using the two stock bolts and washer. Torque to factory specification.



- Re-install the rear center wedge shaped trim panel. Check to make sure bottom of trim panel is clipped into tab on (No. 1) 15350-FEBKT-1, fender eliminator bracket. Hand tighten using stock screw and (No. 11) 5MMFNUT, 5mm nut.



- Re-install left and right rear tail cowlings. Do not torque cowlings screws at this time.
- Align rear center wedge shaped trim panel to left and right tail cowlings and torque center trim panel screw to factory specification. If necessary, use an open-ended wrench to hold nut from the side. Torque rear cowlings screws to factory specification.

Note: Adjustment of tail cowlings and center wedge trim panel may be necessary to achieve proper alignment.

- Re-install left and right passenger grab handles.
- Using the BN-SSS-22-18, butt connectors provided in the kit, connect the Yoshimura license plate light wires to the stock license plate light wires as follows:

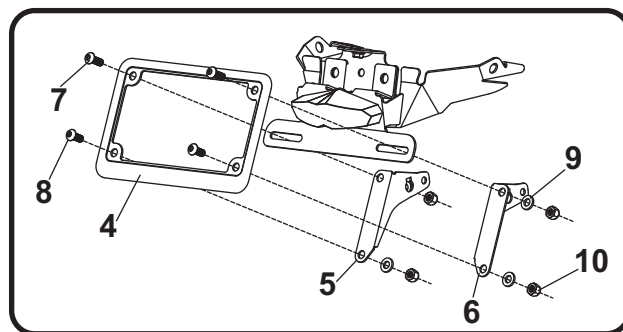
Yellow Wire -to- Orange/White Wire (Positive)
Black Wire -to- Black/White Wire (Ground)
Red Wire -to- Grey/Red (Brake Switch)

- Strip the stock fender light wire ends 1/4" - 1/2" and insert into BN-SSS-22-18, butt connectors provided in the kit.
- Center the spliced wire ends in the middle and using a heatgun or lighter, apply heat evenly on the outer edges of the butt connector to shrink and hold wires in place.
- Making sure that the stripped ends are centered, heat the center of the butt connector evenly until the solder begins to liquify.
- Allow to cool completely and tug both ends of the wires to verify that connection is secured.

Scan for link to butt connector instruction video.



- Install stock turn signals onto (No. 5,6) 15200-TSB-L/R, turn signal brackets.
- Route turn signal wires through hole in (No. 1) 15350-FEBKT-1, fender eliminator bracket.
- Install (No. 4) 070BG-LPF, license plate frame and (No. 5,6) 15200-TSB-L/R, left and right turn signal brackets using the supplied hardware as shown below.



- Re-connect brake / tail / license plate light connector and turn signal connectors.
- Re-install rider seat.
- Check for proper function of license plate light, turn signals, brake light, and that all brackets and components are secure prior to riding.