



YOSHIMURA

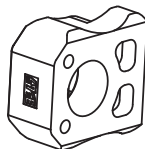
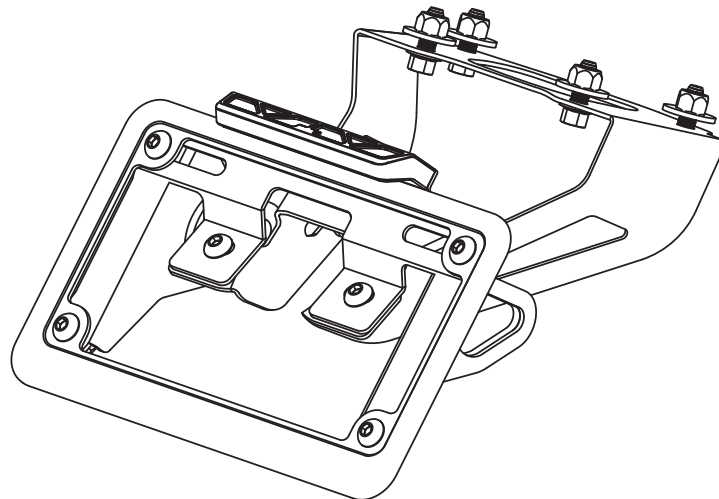
RESEARCH&DEVELOPMENT OF AMERICA, INC.

5420 DANIELS STREET STE A, CHINO CA., 91710 · (800) 634-9166 · (909) 628-4722 · FAX (909) 591-2198

www.yoshimura-rd.com

FENDER ELIMINATOR KIT

070BG13991
Yamaha FZ-09

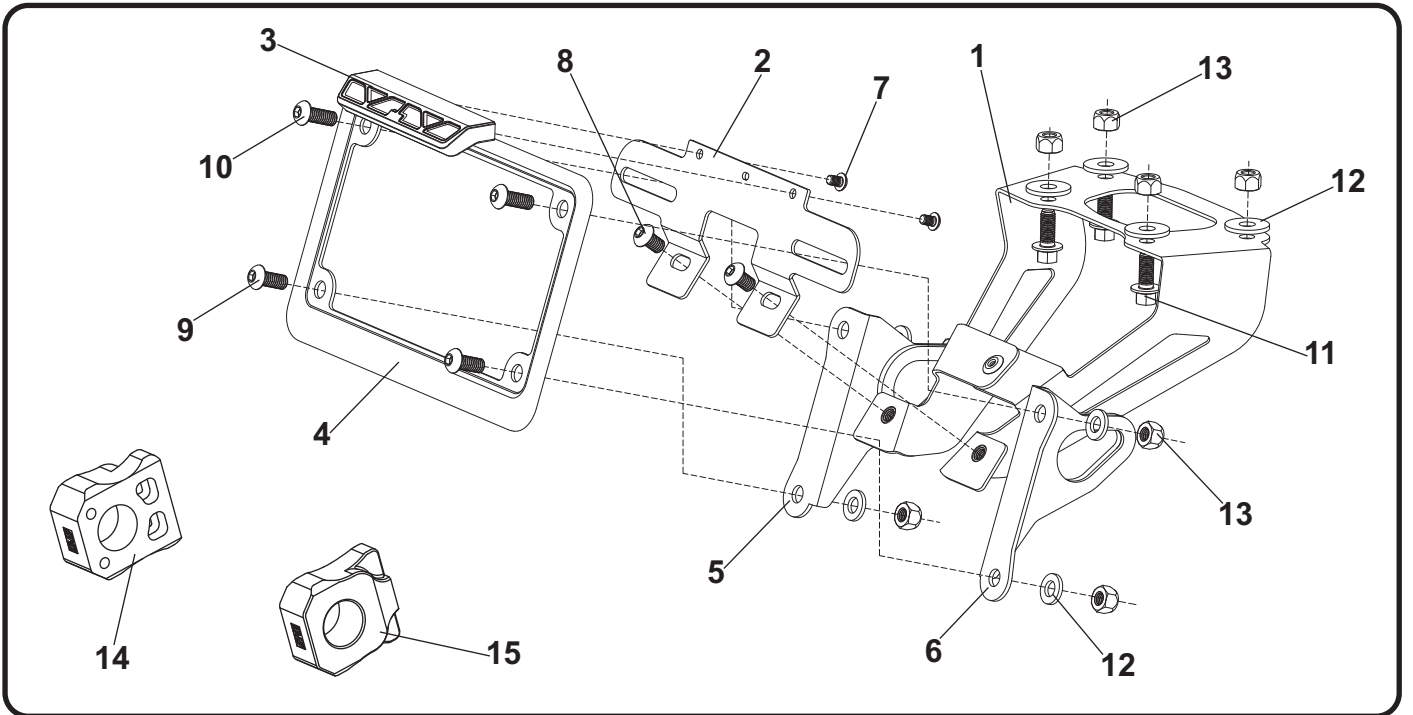


THIS PRODUCT IS NOT DOT APPROVED.

Yoshimura R&D of America, Inc. is not liable or responsible for any resulting event caused by the installation of this product. Check with local laws and regulations for compliance prior to installation and use. This product is not intended for use on public highways.



Assembly Diagram



No.	Item	Description	Qty.
1	13991-FEBKT	Fender Eliminator Bracket	1
2	12200-FEBKT	License Plate bracket	1
3	070BG-LH-K1	LED License Plate Light	1
4	070BG-LPF	License Plate Frame	1
5	13630-TSBL-00	Left Turn Signal Bracket	1
6	13630-TSBR-00	Right Turn Signal Bracket	1
7	M4X6BHS	4mm x 6mm Button Head Screw	2
8	M6X10BHS	6mm x 10mm Button Head Screw	2
9	M6X14BHS	6mm x 14mm Button Head Screw	2
10	M6X16BHS	6mm x 16mm Button Head Screw	2
11	M6X16H	6mm x 16mm Flanged Hex Head Bolt	4
12	6MMWASHER	6mm Washer	8
13	6MMLN	6mm Nylon Lock Nut	8
14	010BG139910L	Axle Block, Left	1
15	010BG139910R	Axle Block, Right	1
**	BN-SSS-22-18	Butt Connectors	2
**	ZT-300	Cable Ties	3
**	17029	Yoshimura Sticker Sheet	1
Optional Parts			
***	070BGUNVTBKT	Universal Turn Signal Bracket Kit	

*** The Yoshimura Universal Turn Signal Bracket Kit is to be used with aftermarket stud-mounted turn signals and is sold separately.

Removal

1. Place vehicle on rear stand to prepare for stock fender and axle block removal. Make sure vehicle is stable and secure prior to beginning work.

Note: It is required to lift rear wheel off the ground to properly remove and adjust axle blocks.

2. Remove rider seat and rear upper cowl.
3. Locate and disconnect license plate light and rear turn signal connectors
4. Remove rear wheel axle nut and remove the stock fender assembly. Carefully remove fender wiring through chain guard making sure not to damage connector during the removal process.

5. Remove rear wheel axle and right side chain adjustment block.

Note: The stock chain adjustment block will not be re-used.

6. Remove rear under-cowl to access turn signal bracket bolts.
7. Remove seat latch bracket to access turn signal bracket nuts.
8. While supporting the stock turn signal bracket assembly, remove the four turn signal bracket bolts and carefully remove the turn signal bracket making sure not to damage turn signal connectors.
9. Disassemble and remove left and right turn signals from the stock turn signal bracket as turn signals will be re-used.

Note: The stock turn signal bracket will not be re-used.

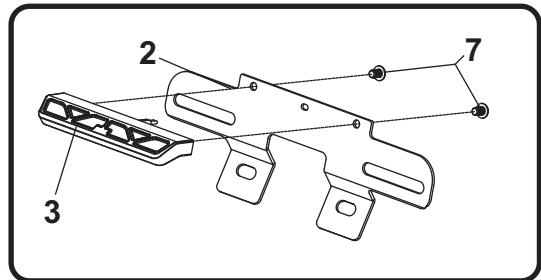
10. Cut the stock license plate light connector wires on the stock fender assembly side. Be sure to cut at least a 6" section of wire from the connector.

Installation

1. Install (No. 14,15) *010BG139910L/R*, left and right axle block using the stock rear axle, washer, and nut. Refer to owners manual for proper chain adjustment procedures and torque specifications.

Note: Yoshimura axle blocks can be rotated 180° to allow for greater axle adjustment range.

2. Install (No. 3) *070BG-LH-K1*, license plate light onto (No. 2) *12200-FEBKT*, license plate bracket using (No. 7) *M4X6BHS*, 4mm button head screws.



3. Using the *BN-SSS-22-18*, butt connectors provided in the kit, connect the Yoshimura license plate light wires to the stock license plate light wires as follows:

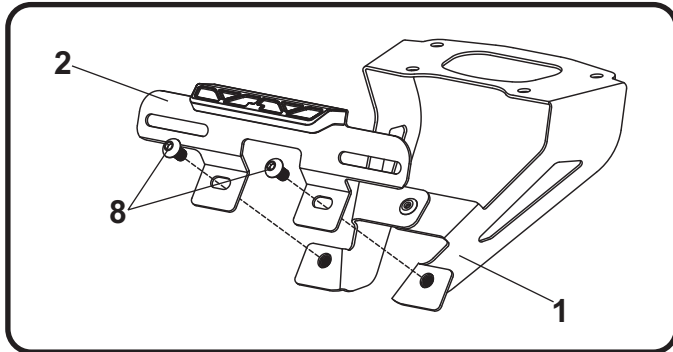
Blue w/ Red Stripe -to- Red Wire
Black Wire -to- Black Wire

- a) Strip the stock fender light wire ends 1/4" - 1/2" and insert into *BN-SSS-22-18*, butt connectors provided in the kit.
- b) Center the spliced wire ends in the middle and using a heatgun or lighter, apply heat evenly on the outer edges of the butt connector to shrink and hold wires in place.
- c) Making sure that the stripped ends are centered, heat the center of the butt connector evenly until the solder begins to liquify.
- d) Allow to cool completely and tug both ends of the wires to verify that connection is secured.

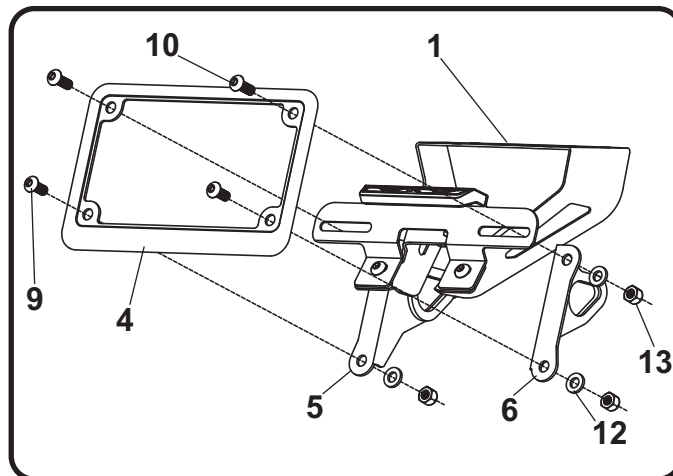
Scan for link to butt connector instruction video.



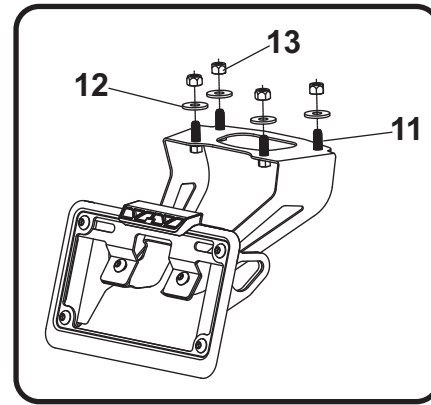
4. Install the stock turn signals onto (No. 5,6) *13630-TSBL/R-00*, left and right turn signal brackets using the stock hardware.
5. Install (No. 2) *12200-FEBKT*, license plate bracket onto (No. 1) *13991-FEBKT*, fender eliminator bracket using (No. 8) *M6X10BHS*, 6mm button head screws.



6. Install (No. 5,6) *13630-TSBL/R-00*, turn signal brackets and (No. 4) *070BG-LPF*, license plate frame using the (No. 9,10) *M6X16BHS* and *M6X14BHS*, 6mm button head screws. Secure using (No. 12,13) *6MMWASHER* and *6MMLN*, washers and nuts as shown below.



7. Install assembled fender eliminator bracket using (No. 11) *M6X16H*, 6mm hex head bolts, (No. 12,13) *6MMWASHER* and *6MMLN*, washers and nuts.



8. Route license plate light and turn signal wires into undertail along the sides and reconnect connectors. Use supplied cable ties to secure excess wire beneath the seat.



9. Re-install rear under-cowl and upper cowl using the opposite steps of removal.
10. Re-install seat latch bracket and rider seat.
11. Check for proper function of license plate light, turn signals, brake light, and that all brackets and components are secure prior to riding.