

# INSTALLATION INSTRUCTIONS

ADJUSTABLE FLOORBOARD KIT  
FOR 84-92 FXST, 80-86 FXWG

P/N DS-254412, DS-254413

## ATTENTION INSTALLER: (if other than owner):

Please forward this instruction sheet and the warranty card to the purchaser of this product. These instructions also contain valuable information necessary to the end user.

## INTRODUCTION:

These instructions describe the procedure for properly installing adjustable floorboard kits onto 1984-92 FXST, FXST/C, FXSTS and 80-86 FXWG models. Review instructions carefully before beginning, as they contain important information. Please retain for future reference.

Particularly important information is distinguished in these instructions by the following notations:

**NOTE:** A NOTE provides key information to make procedures easier or clearer.

**CAUTION:** (shaded) A CAUTION indicates special procedures that must be followed to avoid damage to the motorcycle and/or accessories.

**WARNING:** (boxed and shaded) A WARNING indicates special procedures that must be followed to avoid injury to a motorcycle operator or person inspecting or repairing the motorcycle.

## RIGHT-SIDE INSTALLATION

### TOOLS REQUIRED:

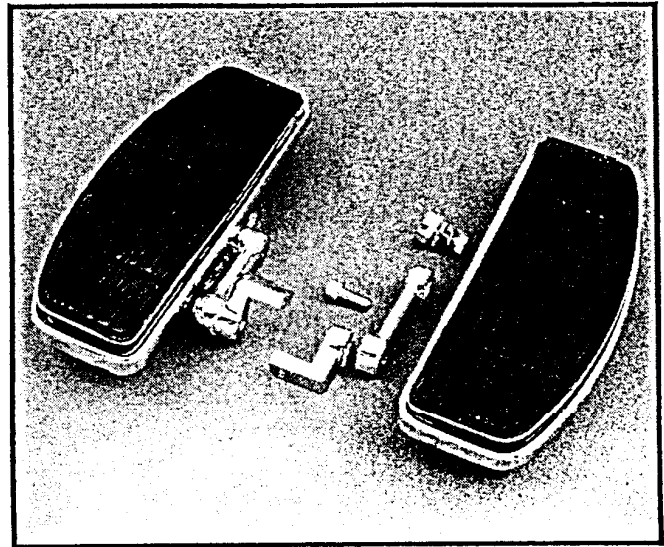
- 2-9/16" combination wrenches
- 1-5/8" combination wrench
- 1-3/8" socket wrench

### PROCEDURE:

1. Remove footpeg and save OEM hardware (Items A,B,C).
2. Using OEM hardware, install pivot (Item #2) as shown and tighten until slight drag is noticed. Use caution so as not to over-tighten.
3. Using socket bolt (Item #5), connect dogbone (Item #3) to pivot (Item #2) and finger tighten only. Dogbone can be mounted facing front or rear for desired floorboard location.
4. Using hexbolt (Item #6), lockwasher (Item #8), flatwasher (Item #7) and slot adjuster (Item #4), mount floorboard (Item #1) as shown.
5. Fully adjustable floorboard (Item #1) can now be located in final position by sliding floorboard back and fourth on slider, as well as rotating dogbone (Item #3) and slot adjuster (Item #4).

**WARNING:** To ensure safe operation of vehicle in all turning and cornering situations, floorboards should be positioned such that there is a minimum of 9 inches of clearance when machine is in upright position. See Diagram A.

**WARNING:** Use Loctite® or similar thread lock on all bolts. Check mounting bolts frequently. Loss of bolts could cause loss of control.



## SHIFTER SIDE INSTALLATION

### TOOLS REQUIRED:

- 2-9/16" combination wrenches
- 1-5/8" combination wrench
- 1-3/8" socket wrench

### PROCEDURE:

1. Remove stock driver's side footpeg
2. Repeat steps 2 through 6 above. Use caution to be sure that floorboard is positioned in same location as right side floorboard.

**WARNING:** Tighten all hardware and check all controls for proper and smooth operation. Perform this check periodically.

### USE & CARE:

Wash your accessories with the same care you use when washing your motorcycle. Use mild soap and water. DO NOT use abrasive chemicals or cleaners, or high pressure spray washers.



**DRAG SPECIALTIES®**  
*The Personal Touch*

Box 9336, Minneapolis, MN 55440

# EXPLODED INSTRUCTIONS

ADJUSTABLE FLOORBOARD KIT  
FOR 84-92 FXST, 80-86 FXWG

P/N DS-254412, DS-254413

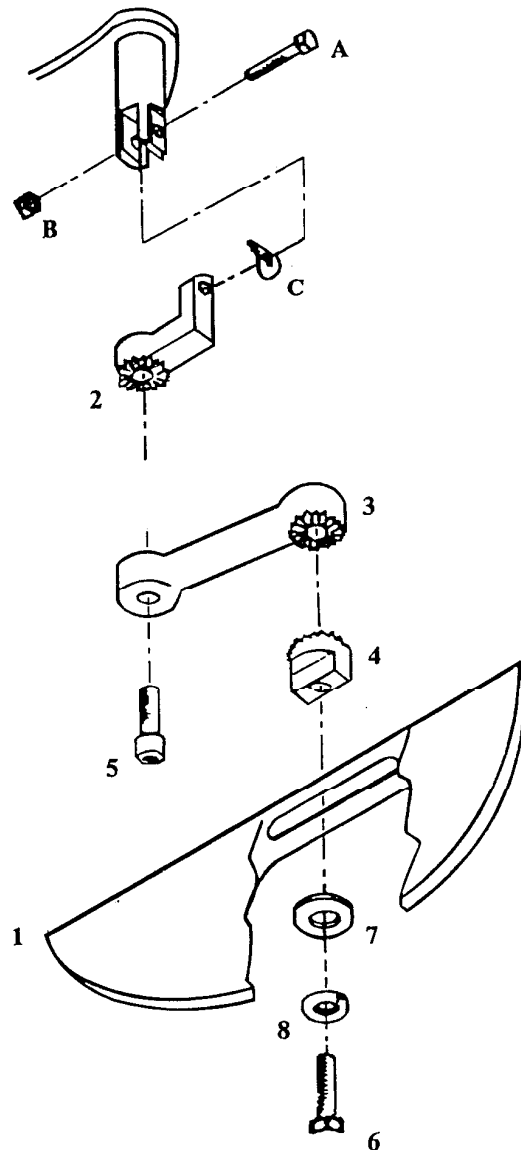
## BILL OF MATERIALS RIGHT-SIDE (ILLUSTRATED)

ITEM #	DESCRIPTION	QTY.
*	OEM hardware	3
1	Floorboard	1
2	Pivot	1
3	Dogbone	1
4	Slot adjuster	1
5	Socket bolt	1
6	Bolt	1
7	Washer	1
8	Lock washer	1

## SHIFTER SIDE (NOT SHOWN)

ITEM #	DESCRIPTION	QTY.
*	OEM hardware	3
1	Floorboard	1
2	Pivot	1
3	Dogbone	1
4	Slot adjuster	1
5	Socket bolt	1
6	Bolt	1
7	Washer	1
8	Lock washer	1

Diagram A



**DRAG SPECIALTIES®**  
*The Personal Touch*

Box 9336, Minneapolis, MN 55440

Effective 10/1/91

P/N 010536

PRINTED IN  
TAIWAN, R.O.C.

Page 2 of 2