

**FOR OFF ROAD/RACE USE ONLY!**



**Driven TT Rearsets for 07-15 Honda CBR 600RR ABS/NON-ABS**

**Part#: DRP-713**

**INSTALLATION INSTRUCTIONS**

**Removal**

**Brake Side**

1. Remove m5 bolt holding plastic heat shield.
2. Remove master cylinder from frame plate and brake pedal.
3. Remove frame bracket from bike.

**Shifter Side**

1. Remove shifter.
2. Remove OEM frame plate.
3. Unbolt engine mount nut. (see fig 1)

**TOOLS REQUIRED**

- 8mm Open End Wrench
- 5mm Hex Key
- 6mm Hex Key
- 8mm Hex Key
- Needle Nose Pliers
- Screw Driver
- Blue Loctite
- Impact Gun

**THE USE OF BLUE LOCTITE IS REQUIRED ON ALL MOUNTING HARDWARE!**

**Installation**

NOTE: ALL PIVOT POINTS MUST BE TIGHTENED USING BLUE LOCTITE AND AN IMPACT GUN.

**Brake Side**

1. Install master cylinder to master cylinder bracket.
2. Connect master cylinder bracket to heat shield.
3. Install brake plunger extension to master cylinder and rod end tighten nut with a 12mm and 14mm open end wrenches. (see fig 3)
4. Install foot peg into frame bracket.
5. Connect master cylinder bracket to frame bracket using 2 m6 bolts supplied.
6. Connect frame bracket to bike.
7. Connect brake plunger rod end to brake pedal using OEM bolt, washers, nut and split pin.
8. Warning: make sure brake pedal has free play in it!
9. Tighten all bolts using blue loctight.

**TORQUE VALUES**

- M5 = 6FT/LBS
- M6 = 10FT/LBS
- M8 = 25FT/LBS
- M10 = 45FT/LBS

**Shifter Side**

1. Install bell crank and stand off to open engine mount bolt. (Use blue loctight and torque to 34ft/lbs)
2. Install foot peg into frame bracket.
3. Install frame bracket to bike using 2 m8 bolts.
4. Install vertical and horizontal shift rod. (5" horizontal and 6 "vertical)
5. Adjust shifting to your preference and tighten nuts.
6. Tighten all bolts using blue loctight.

NOTE: For reverse shifting see fig 2.

**Make final adjustments as necessary and re-check all hardware after the first 500 miles of use.**

**THIS PRODUCT IS INTENDED TO BE INSTALLED BY A CERTIFIED TECHNICIAN\***

**FOR OFF ROAD/RACE USE ONLY!**

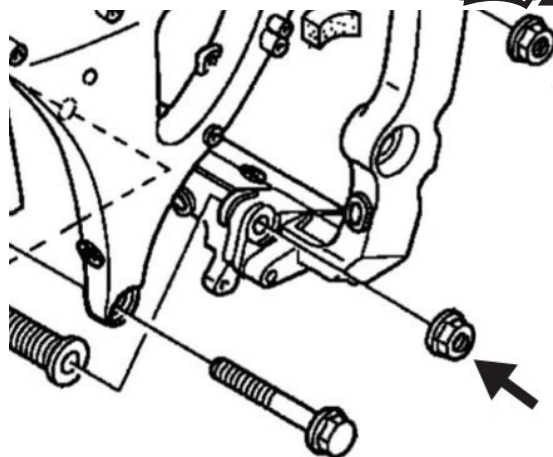


Fig 1.

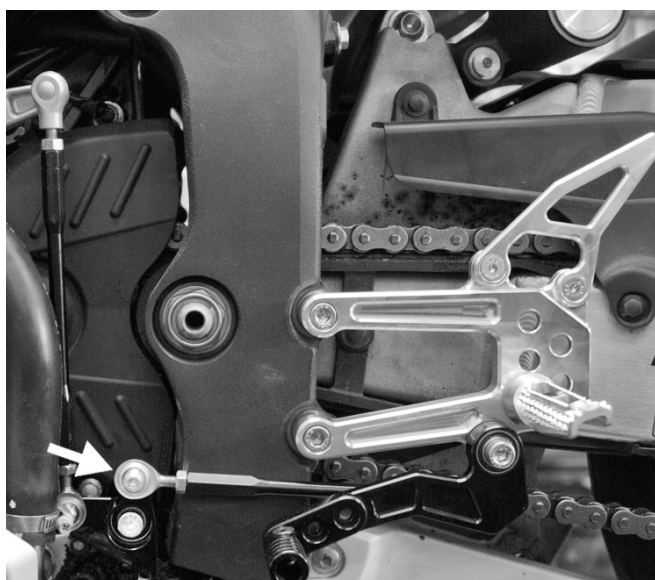
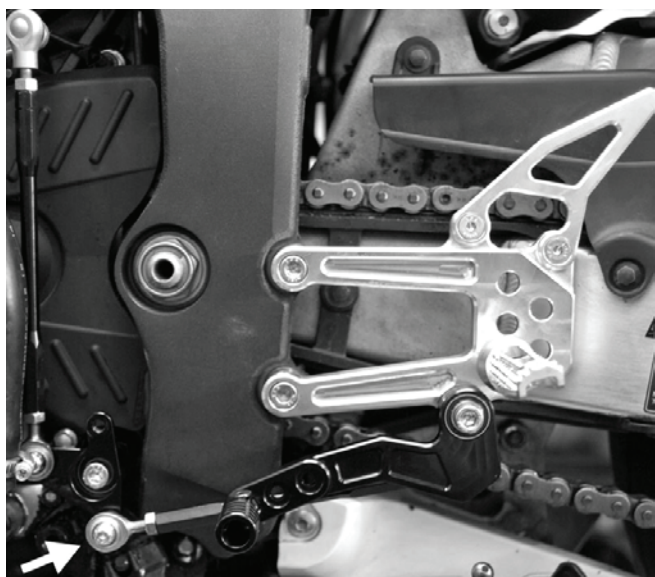


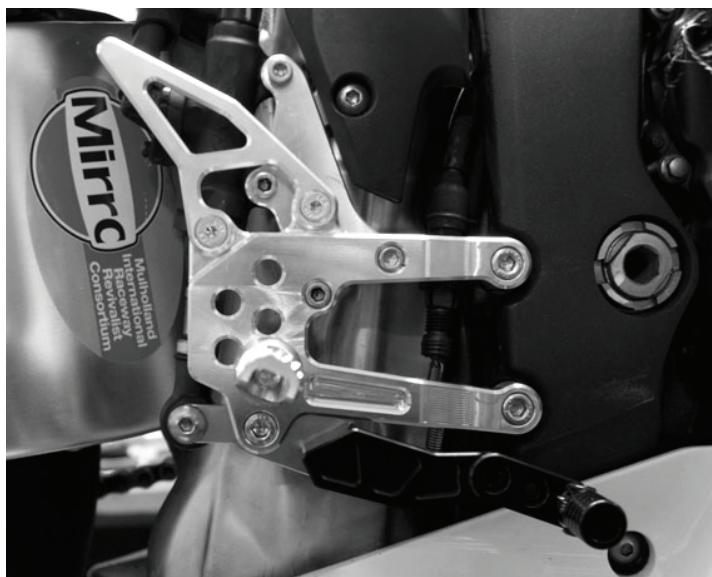
Fig 2. (Reverse Shift)



Fig 3.



Clutch Side (Standard Shift)



Brake Side

**THIS PRODUCT IS INTENDED TO BE INSTALLED BY A CERTIFIED TECHNICIAN\***

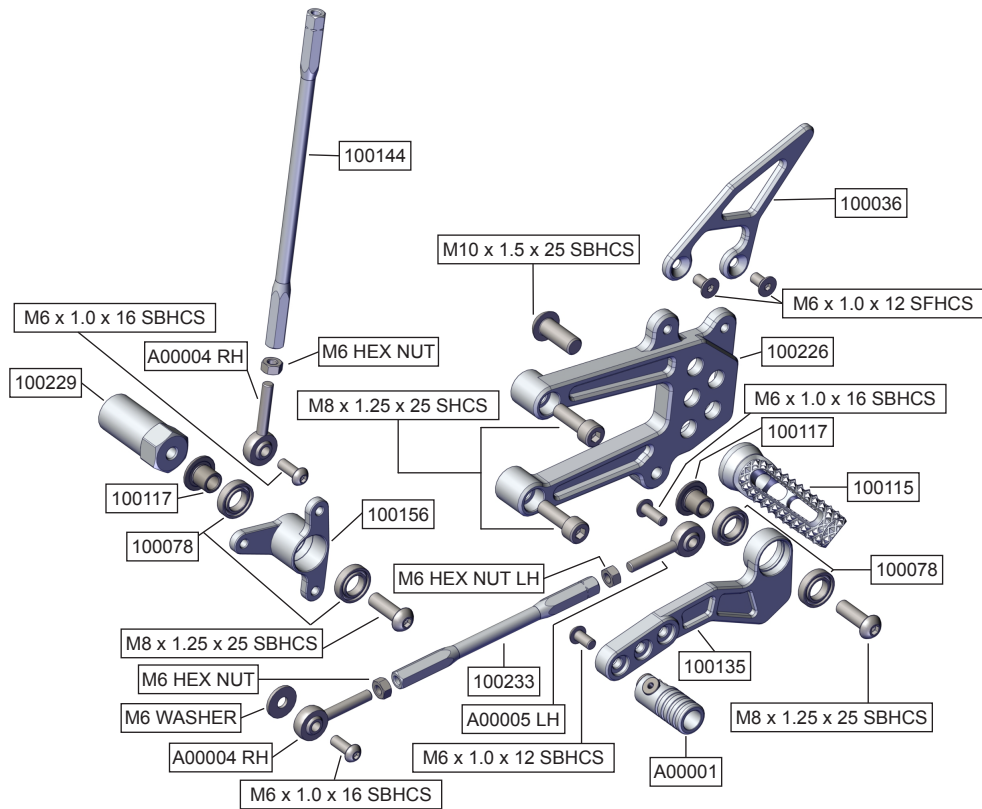
**FOR OFF ROAD/RACE USE ONLY!**



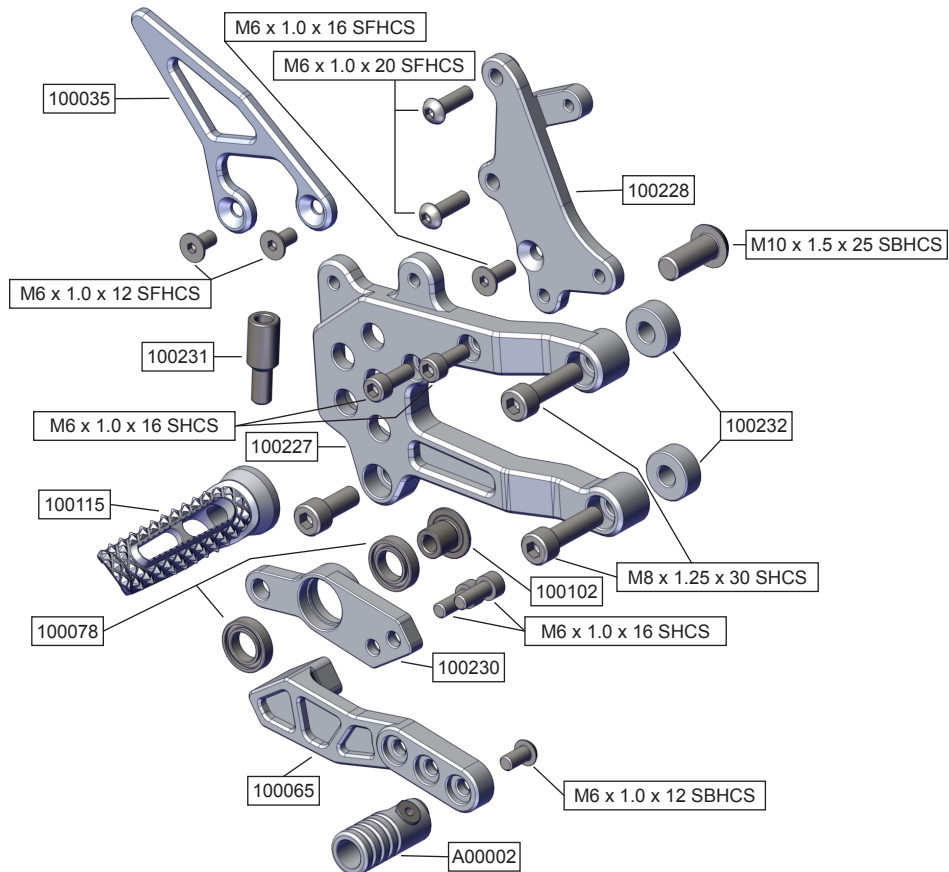
**Driven TT Rearsets for Honda 07-15 CBR 600RR ABS/NON-ABS**

**Part#: DRP-713**

LEFT SIDE / SHIFTER  
A00024



RIGHT SIDE / BRAKE  
A00025



**THIS PRODUCT IS INTENDED TO BE INSTALLED BY A CERTIFIED TECHNICIAN\***