



Part No. 2330-0017

M7011 102209

### MS Batwing Fairing for RK, Softail

**Detachable system allows easy removal.**  
**Durable Lucite construction.**  
**Stylish and Functional**

Before assembly, read Warnings inside



## WARNING

1. During installation, make sure that the fairing and hardware do not interfere with any cables or wiring when the forks are turned all the way in either direction. Also make sure , through the full range of adjustment, that the fairing and hardware do not hit the gas tank.
2. This is a detachable fairing, ALWAYS make sure the locking mechanism is fully engaged after installing the fairing.
3. The improper installation of this kit and related components could result in serious injury or death.



## CAUTION

1. Memphis Shades fairings are made from Lucite® acrylic, and will last for years with proper care. Clean your windshield with plenty of soapy water (mild dish-washing liquid is best) and a soft cotton cloth. Use your bare hands to feel and dislodge bugs, or cover with a wet, soapy towel and let it soak. Don't use paper towels and scrape with anything. Small scratches can be removed with NOVUS #2.
2. Never use any glass cleaning products, petroleum based chemicals, or cleaning agents with ammonia, bleach or any other harsh chemicals. This includes (but not limited to) RainX, brake fluid, acetone, paint thinner, benzene and gasoline. "If it hurts your nose, it will hurt the plastic."
3. Glass cleansing agents will cause severe damage to your fairing, and will void your warranty.

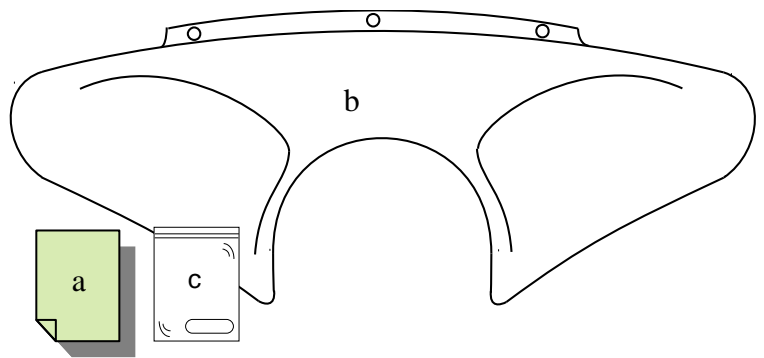
Memphis Shades warrants all product components, metal and plastic, against defects in materials and workmanship for 24 months.

### For Parts and Warranty Help, Contact:

Memphis Shades, Inc.  
P.O. Box 429  
Rossville, TN 38066  
(901) 853 0293

Visit us on the web at [www.memphisshades.com](http://www.memphisshades.com) or you can also reach us by email: [customerservice@memphisshades.com](mailto:customerservice@memphisshades.com)

## 1. Kit Contents



Ref	Part #	Description	Qty
(a)	I7011	Mounting Instructions	1
(b)	M7011	MS Batwing Fairing for RK, Softail	1
(c)	K35	Kit bag	1

## Painting your Fairing

Memphis Shades fairings come with a weather proof class A finish and do not need to be painted. However, they are made of Lucite cast acrylic and ABS plastic and can easily be painted using most automotive or motorcycle paint, with little preparation. (Most people have only the outer surface painted, but inner surfaces, including the ABS parts, can be painted.)

Some paints contain organic solvents that can be harmful to Lucite and ABS. Paint makers have extensive application information and can make recommendations on specific formulations. Your local painter would routinely know this, and all things considered, having him paint it is preferable to doing it yourself.



Part No. 2330-0017

M7011 102209

## MS Batwing Fairing for RK, Softail

### 2. Windshield Fitment (Accessory)

1. Use the bolts, washers and acorn nut shoulder spacer supplied with the Fairing to fit the windshield. An allen wrench is also provided.
2. Starting with the center hole, push a bolt with a washer through the front of the fairing and through the front of the windshield.
3. Push an acorn nut shoulder spacer through the rear of the windshield, over the bolt, and snug down the acorn nut.
4. Repeat on the remaining two holes. Once the shield is located correctly, tighten down with the allen wrench provided.

