

Denali Horn Mount

BMW F800GS '13-'14
BMW F700GS '13-'14

HMT.07.10000 Instructions Rev:00

PLEASE READ BEFORE INSTALLING

TWISTED THROTTLE products should be installed by a qualified, experienced motorcycle technician. If you are unsure of your ability to properly install a product, please have the product installed by your local motorcycle dealer. TWISTED THROTTLE takes no responsibility for damages caused by improper installation.

All screws, bolts, and nuts, including all replacement hardware provided by TWISTED THROTTLE should be tightened to the torque specified in the OEM maintenance manual for your motorcycle. If no torque specifications are provided in the OEM maintenance manual, the following torques may be used:

M5.....	3.5 ft-lbs (5 Nm)
M6.....	7 ft-lbs (9.6 Nm)
M8.....	13 ft-lbs (18 Nm)




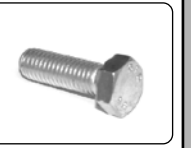

All screws, bolts, and nuts should be checked after driving the first 30 miles (50 km) to ensure that all are tightened to the proper torque.

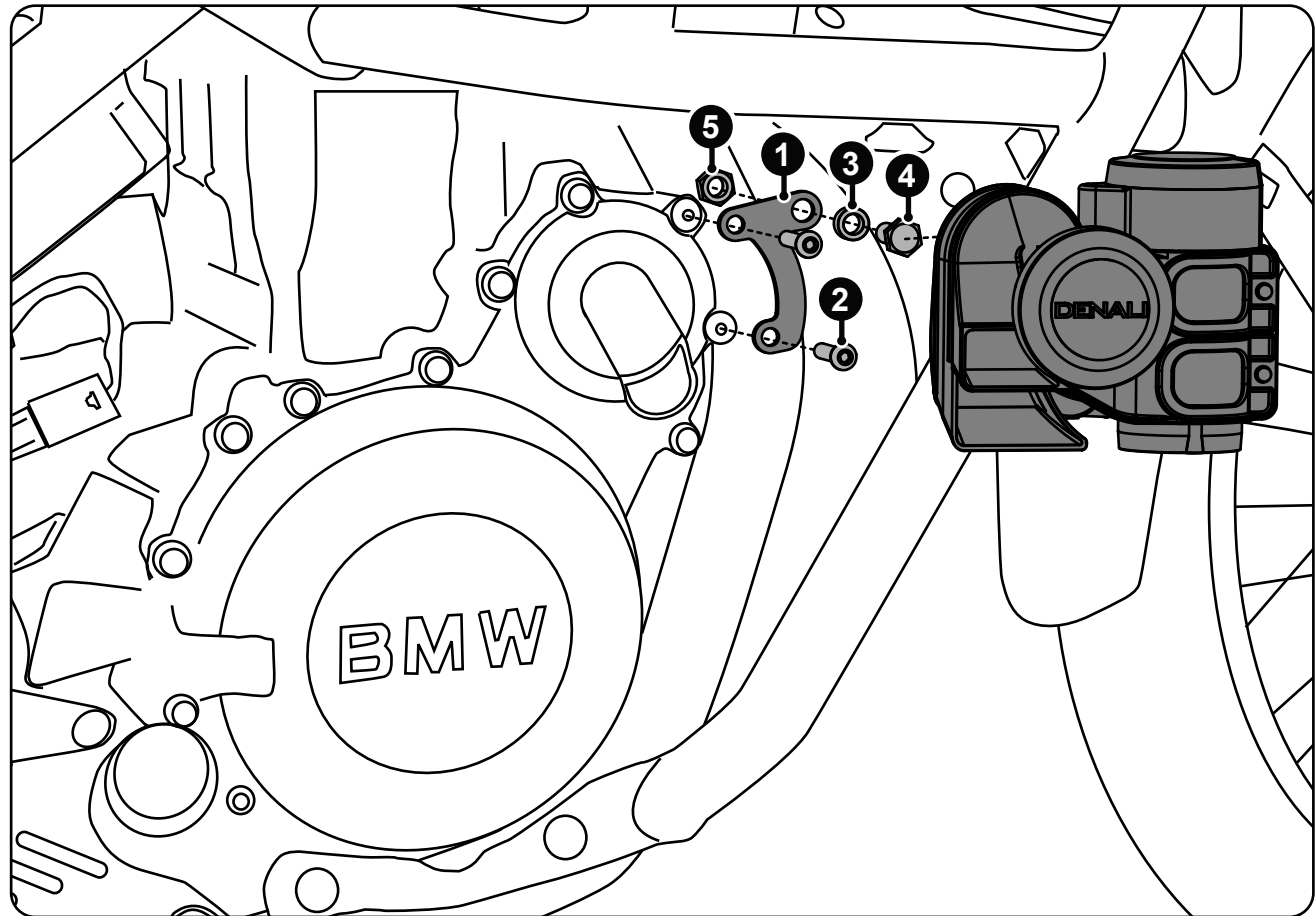
Medium strength liquid thread-locker (i.e., "Loctite") should be used to secure all screws, bolts, and nuts.

Distributed by:	
Twisted Throttle LLC 570 Noose Neck Rd Exeter, RI 02822	phone: 401.284.4200 fax: 401.223.6955 www.twistedthrottle.com



Installation Instructions

Kit Contents	1	Horn Bracket	2	Lens Head Screw	3	Spacer	4	Hex Head Screw	5	Nylock Nut
										
	HMT.07.002		M6x35.....ISO 7380		OD: 12.7mm ID: 8.1mm L: 6.75mm		M6x45.....ISO 7380		M8.....DIN 985	
	Qty.....1		Qty.....2		Qty.....1		Qty.....1		Qty.....1	



Step One: Using the supplied hardware mount the bracket to the motorcycle as illustrated above.

Step Two: Using the supplied hardware mount the horn to the mounting bracket.