

RS510 INSTRUCTIONS

TO BE INSTALLED BY A CERTIFIED MECHANIC ONLY | FOR RACE USE ONLY

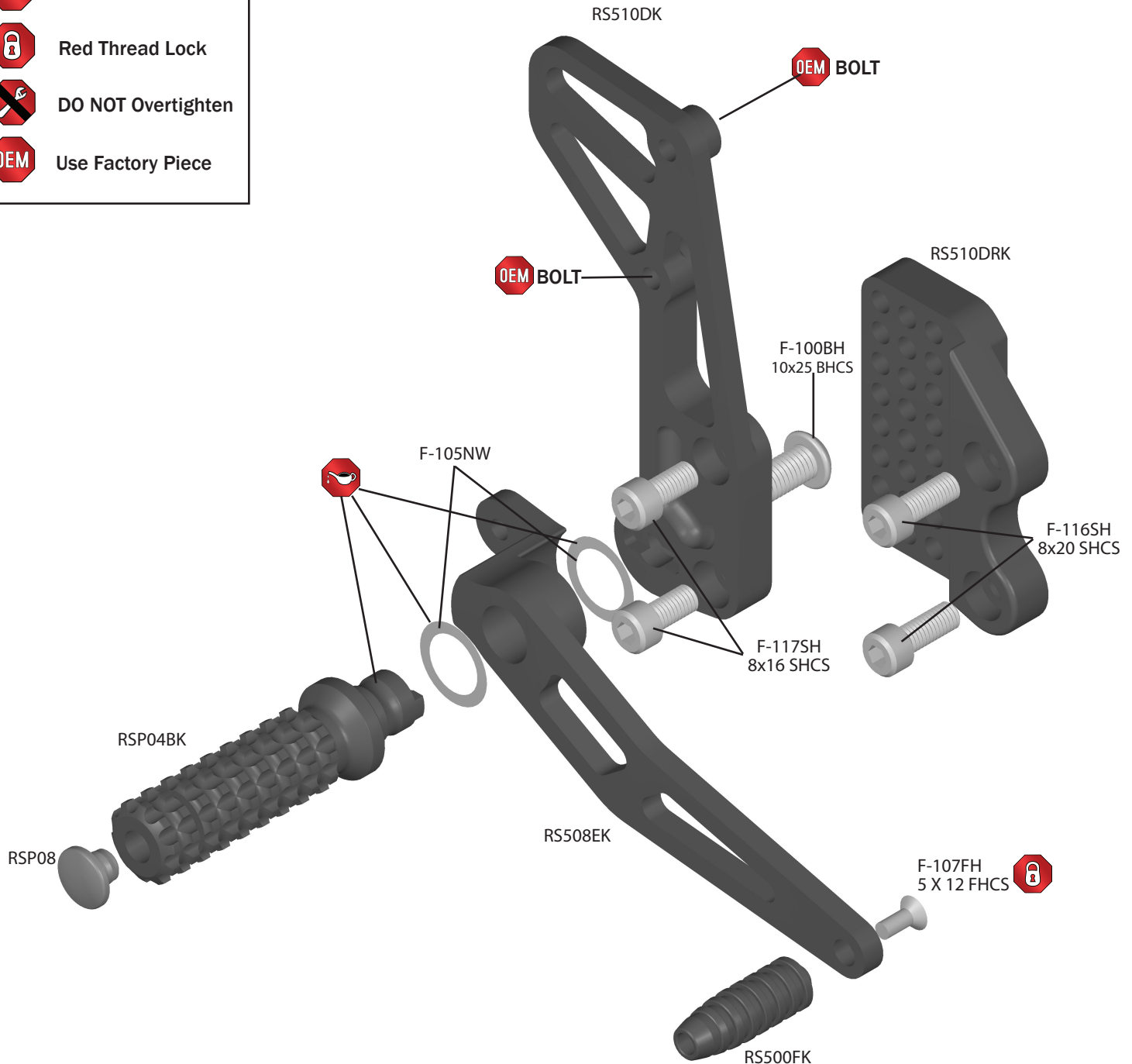
BRAKE SIDE EXPLODED VIEW

FOR: SUZUKI GSXR1000 05-06



INDEX

-  Lubricate
-  Red Thread Lock
-  DO NOT Overtighten
-  Use Factory Piece



1.800.440.3559
www.VORTEXRACING.com

BRAKE LIGHT INFO:

These rearsets do not use: OEM rear brake light switch, spring & lever return spring. In race form these rear sets no longer activate rear brake light from rear brake lever. Street use requires rear brake light to be activated by rear & front brake levers. To achieve rear brake light activation from rear brake lever use Vortex in-line pressure switch RS100.



RS510 INSTRUCTIONS

TO BE INSTALLED BY A CERTIFIED MECHANIC ONLY | FOR RACE USE ONLY

SHIFT SIDE EXPLODED VIEW

FOR: SUZUKI GSXR1000 05-06



INDEX



Lubricate



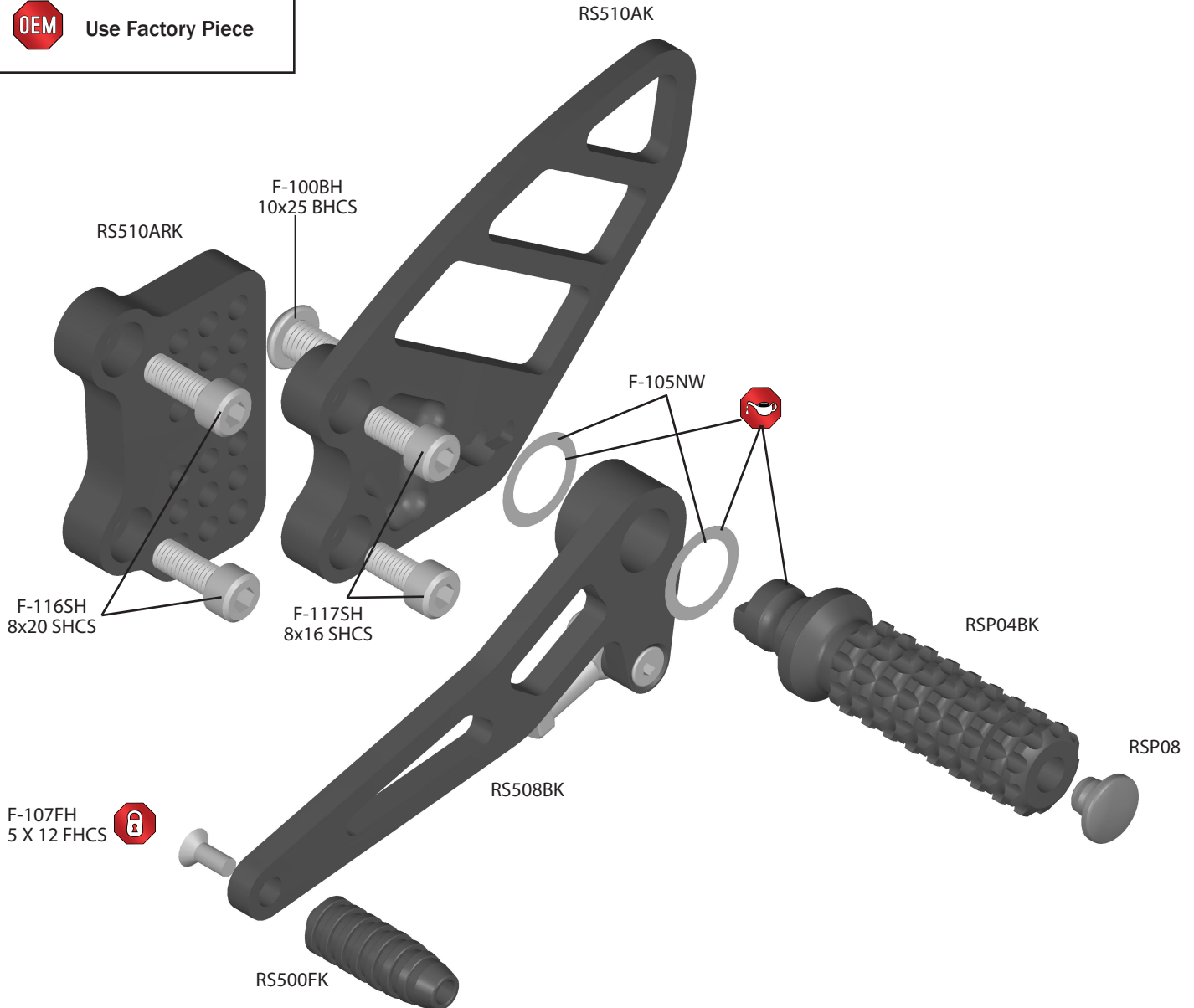
Red Thread Lock



DO NOT Overtighten



Use Factory Piece



1.800.440.3559

www.VORTEXRACING.com

